

- NOTES:
- APPROXIMATE WEIGHT: 100 LBS.
1. ASSEMBLY IS UL LISTED TO UL 891.
 2. NEMA 1 WALL MOUNT ENCLOSURE.
 3. THE BOX & TRIM ARE CONSTRUCTED FROM GALVANIZED STEEL.
 4. THE TRIM FINISH IS POWDER COATED ON ALL EXTERNAL AND VISIBLE SURFACES, BOX AND ALL INTERNAL MOUNT BRACKETS ARE GALVANIZED FINISH
 5. THE CABINET IS TO BE MOUNTED THROUGH THE Ø0.375" HOLES IN THE BACK OF THE ENCLOSURE.

90880 SERIES WALL MOUNT MAINTENANCE BYPASS PANEL			
15A-225A, 120V/208V, 3Ø/4W/G, 3 BREAKER			
INTERLOCK CONFIGURATION 2			
DIMENSIONS ARE IN INCHES	INITIALS	DATE	THE INFORMATION CONTAINED IN THIS DRAWING IS THE SOLE PROPERTY OF C&C POWER, INC. ANY REPRODUCTION WITHOUT THE WRITTEN CONSENT OF C&C POWER, INC IS PROHIBITED.
TOLERANCES:	DRAWN	PC	
DECIMALS: .XX ±.13	CHECKED	CH	12/17/2012
ANGLES: ±1°			
MATERIAL: SEE NOTES SHEET 1			
FINISH: SEE NOTES SHEET 1			
CAD GENERATED DRAWING DO NOT MANUALLY UPDATE			
SCALE: SEE NOTES SHEET 1	REV: 4	SHEET 1 OF 2	
			<p>C&C POWER ENGINEERED POWER PRODUCTS WWW.CCPOWER.COM</p> <p>© 2012 C&C POWER, INC. ALL RIGHTS RESERVED</p>

CIRCUIT BREAKER SUMMARY

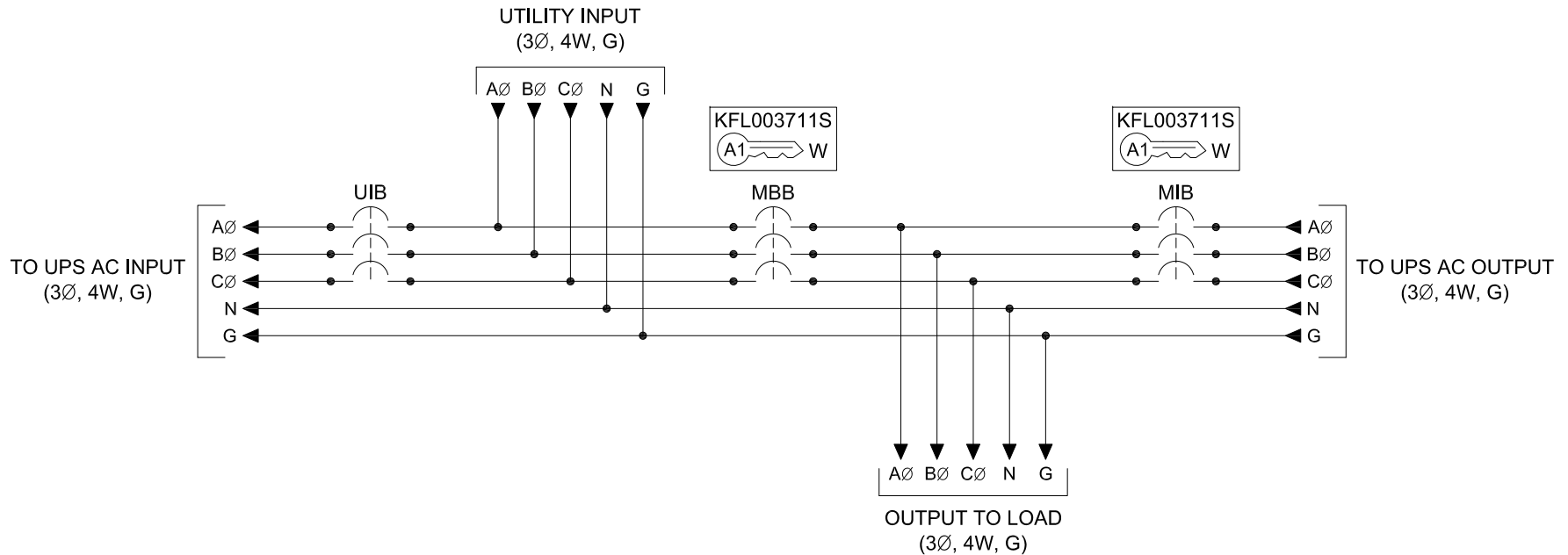
BREAKER TYPE	BREAKER MODEL	TRIP	AIC	WIRE RANGE
CUTLER HAMMER SERIES C	EHD3XXX	15-100A	18K @ 240VAC	(1) 14 - 1/0
	EDB3XXX	125-225A	22K @ 240VAC	(1) 4 - 4/0
	ED3XXX	15-60A	65K @ 240VAC	(1) 14 - 1/0
	FD3XXX	70-90A	65K @ 240VAC	(1) 14 - 1/0
	ED3100	100A	65K @ 240VAC	(1) 14 - 1/0
	ED3XXX	110-225A	65K @ 240VAC	(1) 4 - 4/0

NOTES:

- "UIB" UPS INPUT BREAKER
- "MBB" MAINTENANCE BYPASS BREAKER
- "MIB" MAINTENANCE ISOLATION BREAKER
- ALL INTERNAL ELECTRICAL CONNECTIONS BETWEEN "UIB", "MBB" AND "MIB" ARE MADE USING COPPER BUS BARS.
- 200% RATED NEUTRAL LUG ACCEPTS (4) #6 - 350 MCM CABLES.
- GROUND LUG ACCEPTS (3) #6 - 350 MCM CABLES.
- MECHANICAL LUGS USED FOR THE UTILITY INPUT & THE OUTPUT TO LOAD HAVE THE SAME WIRE RANGE AS THE CIRCUIT BREAKERS.
- THIS DRAWING IS TO BE USED FOR ELECTRICAL PURPOSES ONLY AND DOES NOT REPRESENT THE ACTUAL MECHANICAL LAYOUT OF THE EQUIPMENT.

KIRK KEY NOTES:

- THE "E" OR "W" NEXT TO THE INTERLOCK INDICATES THE POSITION OF THE INTERLOCK BOLT WHEN THE KEY IS REMOVABLE. "E" = EXTENDED AND "W" = WITHDRAWN.
- THE KEY OR KEYS NEXT TO THE INTERLOCK INDICATES THE KEY NUMBER THAT FUNCTIONS WITH THE INTERLOCK.



90880 SERIES WALL MOUNT MAINTENANCE BYPASS PANEL			
15A-225A, 120V/208V, 3Ø/4W/G, 3 BREAKER			
INTERLOCK CONFIGURATION 2			
DIMENSIONS ARE IN INCHES	INITIALS	DATE	THE INFORMATION CONTAINED IN THIS DRAWING IS THE SOLE PROPERTY OF C&C POWER, INC. ANY REPRODUCTION WITHOUT THE WRITTEN CONSENT OF C&C POWER, INC IS PROHIBITED.
TOLERANCES:	DRAWN	PC	
DECIMALS: .XX ±.13 .XXX ±.062	ANGLES: ±1"	CHECKED	
		CH	12/17/2012
MATERIAL: SEE NOTES SHEET 1			
FINISH: SEE NOTES SHEET 1			
CAD GENERATED DRAWING DO NOT MANUALLY UPDATE			
SCALE: NTS	SIZE: A	REV: 5	SHEET 2 OF 2

C&C POWER
ENGINEERED POWER PRODUCTS
WWW.CCPower.COM

© 2012 C&C POWER, INC.
ALL RIGHTS RESERVED