

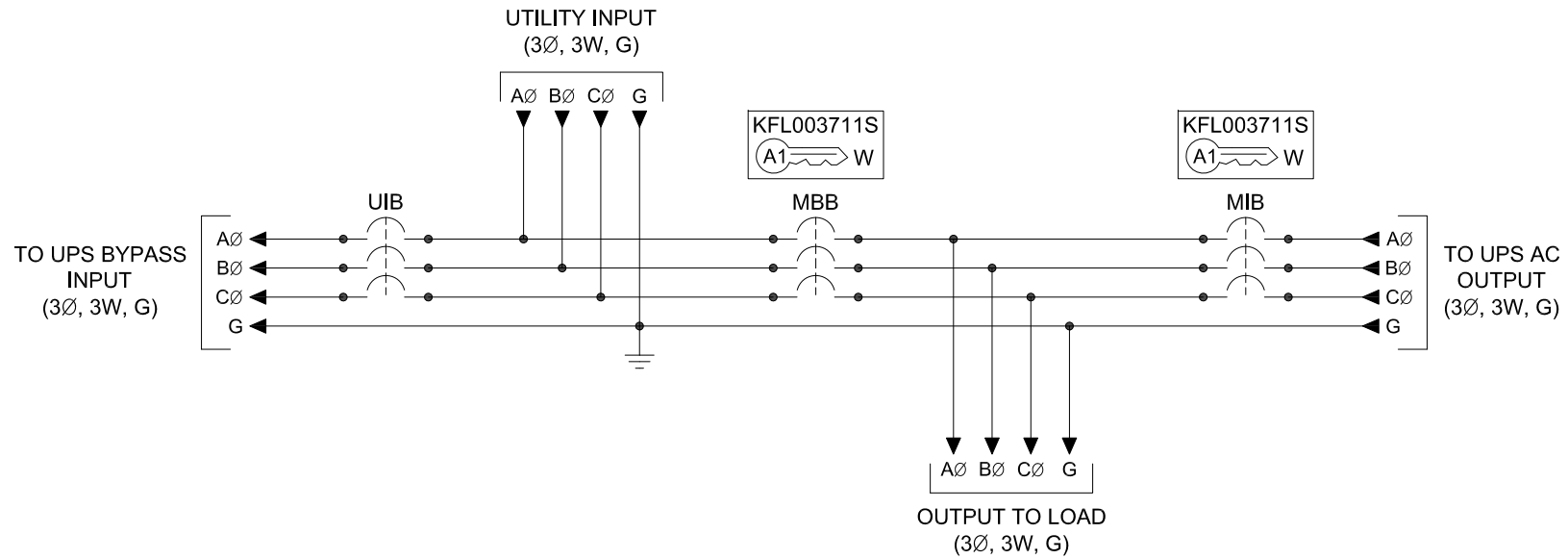
NOTES:

1. APPROXIMATE WEIGHT: 320 LBS.
2. ASSEMBLY IS UL/CUL LISTED TO UL 891 AND C22.2 NO. 244.
3. NEMA 1 TYPE ENCLOSURE.
4. THE CABINET IS CONSTRUCTED FROM GALVANIZED STEEL.
5. THE CABINET IS TO BE MOUNTED THROUGH THE 0.750" HOLES IN THE CABINET LEGS. THE LEGS ARE FORMED FROM 10 GAUGE STEEL.
6. FINISH IS BLACK POWDER COAT ON ALL EXTERNAL AND VISIBLE SURFACES. INTERIOR PANELS AND MOUNT BRACKETS ARE GALVANIZED FINISH.

MAINTENANCE BYPASS CABINET FOR 3400 SERIES UPS 80-125KVA, 480V, 3Ø/3W/G, 3 BREAKER BYPASS INTERLOCK CONFIGURATION 2				
<small>THE INFORMATION CONTAINED IN THIS DRAWING IS THE SOLE PROPERTY OF C&C POWER, INC. ANY REPRODUCTION WITHOUT THE WRITTEN CONSENT OF C&C POWER, INC IS PROHIBITED.</small>				
<small>DIMENSIONS ARE IN INCHES</small>		<small>INITIALS</small> <small>DATE</small>	 C&C POWER ENGINEERED POWER PRODUCTS WWW.CCPOWER.COM © 2018 C&C POWER, INC. ALL RIGHTS RESERVED	
<small>TOLERANCES:</small> <small>DECIMALS: .XX ±.13</small> <small>ANGLES: .XXX ±.082</small>	<small>DRAWN</small> <small>CHECKED</small>	<small>CH</small> <small>CH</small>		<small>7/20/2018</small> <small>7/20/2018</small>
<small>SCALE: NTS</small>	<small>REV: 2</small>	<small>SHEET 1 OF 2</small>		
<small>REVISIONS:</small>				

CIRCUIT BREAKER OPTIONS

UPS KVA	AIC	BREAKER MODEL	TRIP	WIRE RANGE
80	14K @ 480VAC	FDB3150	150A	(1) 4 - 4/0
	65K @ 480VAC	HFD3150		
100	35K @ 480VAC	FD3175	175A	
	65K @ 480VAC	HFD3175		
125	35K @ 480VAC	FD3225	225A	
	65K @ 480VAC	HFD3225		



NOTES:

- "UIB" UPS INPUT BREAKER.
- "MBB" MAINTENANCE BYPASS BREAKER.
- "MIB" MAINTENANCE ISOLATION BREAKER.
- ALL INTERNAL ELECTRICAL CONNECTIONS BETWEEN "UIB", "MBB" AND "MIB" ARE MADE USING COPPER BUS BARS.
- GROUND LUG ACCEPTS (4) #6 - 350 MCM CABLES.
- MECHANICAL LUGS USED FOR THE UTILITY INPUT & THE OUTPUT TO LOAD HAVE THE SAME WIRE RANGE AS THE CIRCUIT BREAKERS.
- THIS DRAWING IS TO BE USED FOR ELECTRICAL PURPOSES ONLY AND DOES NOT REPRESENT THE ACTUAL MECHANICAL LAYOUT OF THE EQUIPMENT.

KIRK KEY NOTES:

- THE "E" OR "W" NEXT TO THE INTERLOCK INDICATES THE POSITION OF THE INTERLOCK BOLT WHEN THE KEY IS REMOVABLE. "E" = EXTENDED AND "W" = WITHDRAWN.
- THE KEY OR KEYS NEXT TO THE INTERLOCK INDICATES THE KEY NUMBER THAT FUNCTIONS WITH THE INTERLOCK.

MAINTENANCE BYPASS CABINET FOR 3400 SERIES UPS			
80-125KVA, 480V, 3Ø/3W/G, 3 BREAKER BYPASS			
INTERLOCK CONFIGURATION 2			
THE INFORMATION CONTAINED IN THIS DRAWING IS THE SOLE PROPERTY OF C&C POWER, INC. ANY REPRODUCTION WITHOUT THE WRITTEN CONSENT OF C&C POWER, INC IS PROHIBITED.			
DIMENSIONS ARE IN INCHES		INITIALS	DATE
TOLERANCES:		DRAWN CH	7/20/2018
DECIMALS: .XX ±.13	ANGLES: ±1°	CHECKED CH	7/20/2018
.XXX ±.082			
SCALE: SEE A	REV: 2	SHEET 2 OF 2	
NTS		 ENGINEERED POWER PRODUCTS WWW.CCPOWER.COM © 2018 C&C POWER, INC. ALL RIGHTS RESERVED	

DRAWING #: 9830A-C2-480-5D01-2 REV 2