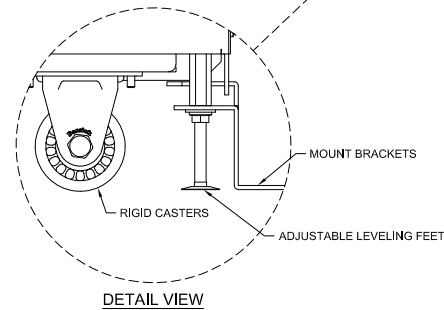
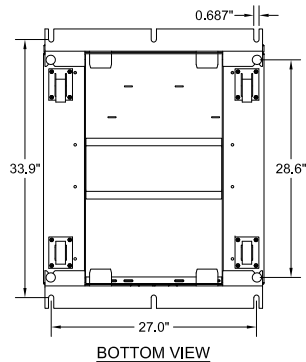
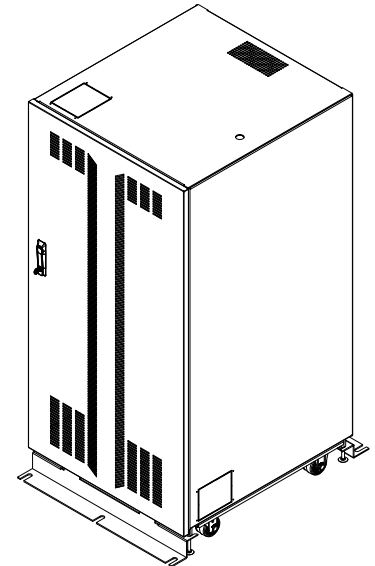
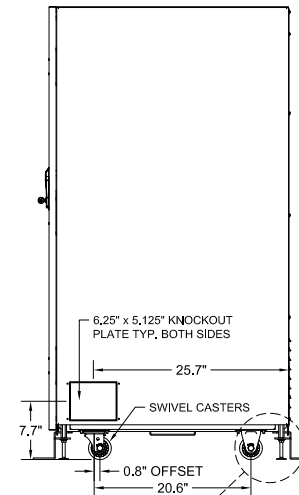


RIGHT SIDE VIEW



- NOTES:
1. NEMA 1 ENCLOSED BATTERY CABINET.
  2. FACTORY ASSEMBLED CABINETS ARE LISTED TO UL 1778.
  3. HEAVY GAUGE WELDED STEEL CONSTRUCTION.
  4. INTERIOR & EXTERIOR FINISH IS BLACK SAND TEXTURE POWDER COAT, OVEN BAKED FOR CHIP & CORROSION RESISTANT FINISH.
  5. A MINIMUM REAR CLEARANCE OF 2" IS RECOMMENDED FOR OPTIMAL COOLING OF THE EQUIPMENT.
  6. FOR EASE OF CONDUIT INSTALLATION, (1) 6.25"x5.125", 16 GAUGE CONDUIT KNOCKOUT PLATE IS PROVIDED TO REPLACE ONE OF THE 10 GAUGE KNOCKOUTS IN THE CABINET.
  7. BATTERIES CAN BE ACCESSED FROM THE FRONT AND REAR OF THE CABINET.
  8. CABINET IS SUPPLIED ON SKID WITH HEAVY DUTY RAMP FOR EASY UNLOADING. CABINET IS TO BE MOVED USING THE CABINET CASTERS.

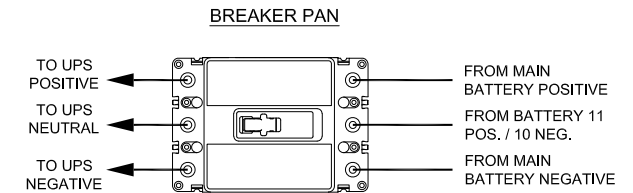
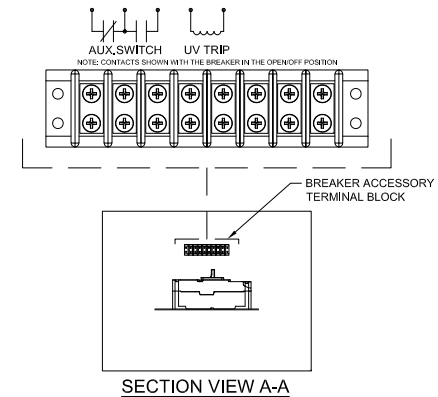
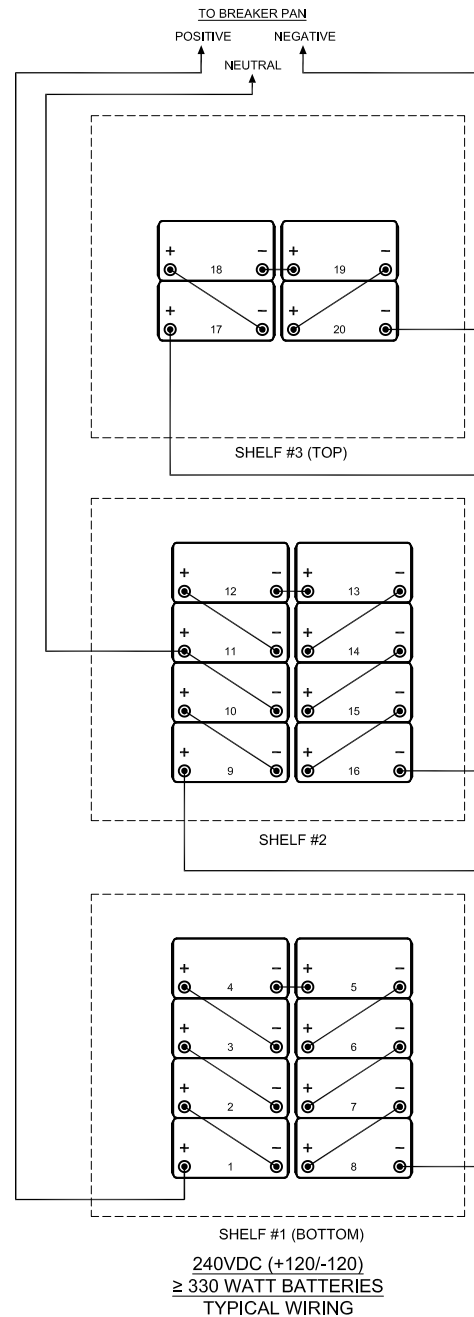
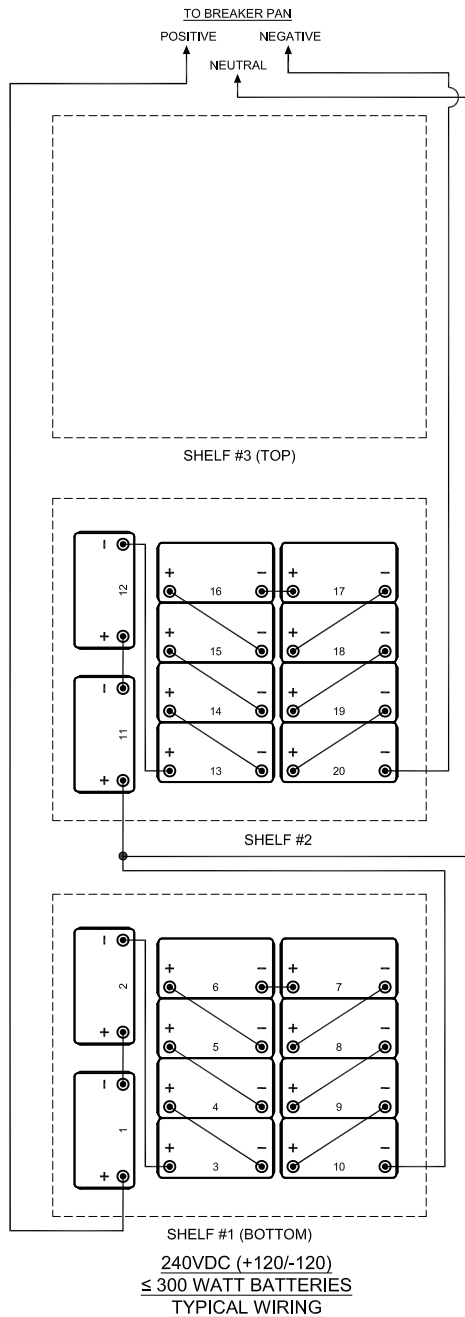
<b>BC27 BATTERY CABINET</b>			
FOR USE W/ POWERVAR / AMETEK 3300 SERIES 10-40 KVA UPS			
<b>MECHANICAL DRAWING</b>			
THE INFORMATION CONTAINED IN THIS DRAWING IS THE SOLE PROPERTY OF C&C POWER, INC. ANY REPRODUCTION WITHOUT THE WRITTEN CONSENT OF C&C POWER, INC IS PROHIBITED.			
DIMENSIONS ARE IN INCHES		INITIALS	DATE
TOLERANCES:		DRAWN TD	02/13/2020
DECIMALS: .XX ±.13	ANGLES: ±1°	CHECKED JRL	02/18/2020
XXX ±.082			
SCALE: NTS	SHEET: A	REV: 1	SHEET 1 OF 2

**C&C POWER**  
**ENGINEERED POWER PRODUCTS**  
 WWW.CCPOWER.COM

© 2020 C&C POWER, INC.  
 ALL RIGHTS RESERVED

**BC27 CIRCUIT BREAKER TABLE**

KVA	BREAKER SIZE
10	60A
15	90A
20	125A
30	150A
40	200A



**BC27 BATTERY CABINET  
FOR USE W/ POWERVAR / AMETEK 3300 SERIES 10-40 KVA UPS**

**ELECTRICAL DRAWING**

THE INFORMATION CONTAINED IN THIS DRAWING IS THE SOLE PROPERTY OF C&C POWER, INC. ANY REPRODUCTION WITHOUT THE WRITTEN CONSENT OF C&C POWER, INC IS PROHIBITED.

DIMENSIONS ARE IN INCHES	INITIALS	DATE
TOLERANCES: DECIMALS: .XX ±.13 ANGLES: .XXX ±.082	DRAWN TD	02/13/2020
	CHECKED JRL	02/18/2020
SCALE: SEE A	REV: 1	SHEET 2 OF 2

**C&C POWER**  
ENGINEERED POWER PRODUCTS  
WWW.CCPOWER.COM

© 2020 C&C POWER, INC.  
ALL RIGHTS RESERVED

**NOTES:**

- ALL INTERNAL WIRING IS UL LISTED, MTW, STYLE, 105C, EXTRA FLEXIBLE CABLE.
- BREAKER IS UL LISTED.
- BATTERY CABINETS WITH BREAKERS ARE SHIPPED WITH BREAKER IN THE OFF/OFF POSITION.
- CABLES FROM BATTERY CABINET TO UPS SYSTEM ARE SUPPLIED BY OTHERS.
- GROUND CONNECTION IS #14-1/0AWG MECHANICAL LUG.