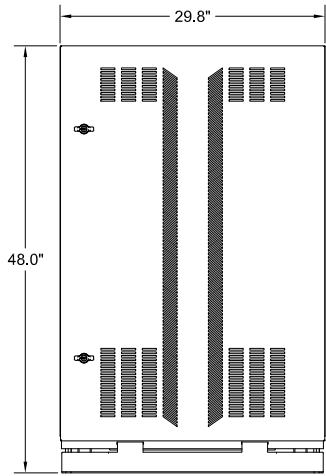
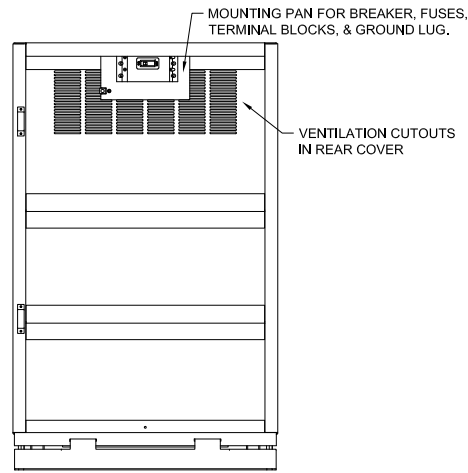


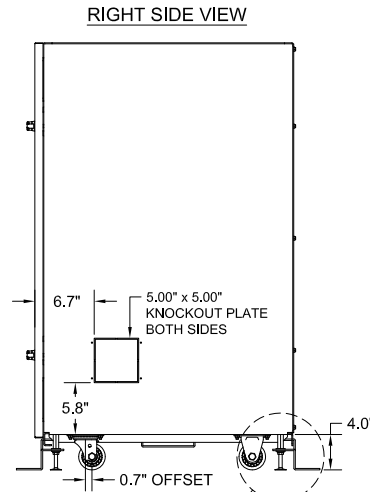
TOP VIEW



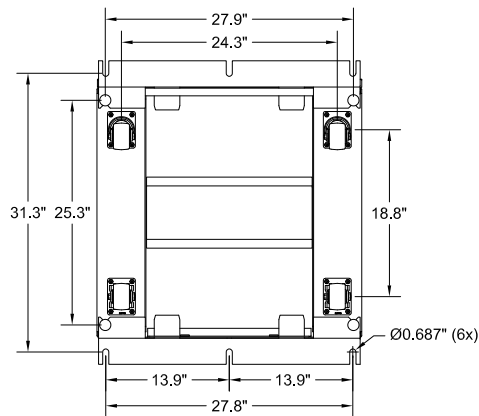
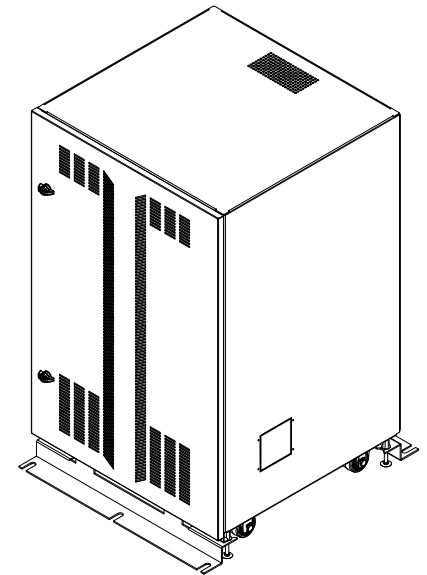
FRONT VIEW



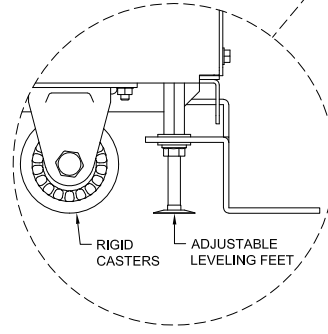
FRONT VIEW
(DOOR REMOVED)



RIGHT SIDE VIEW



BOTTOM VIEW



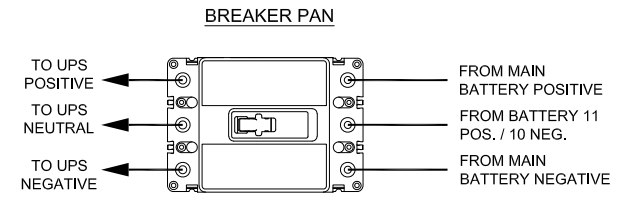
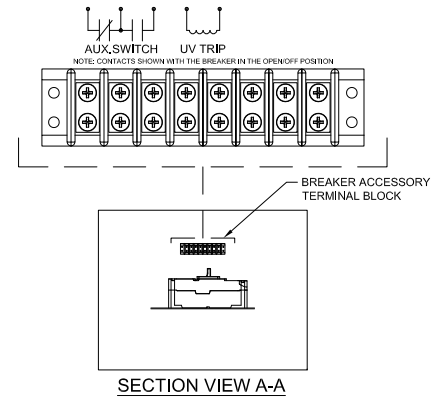
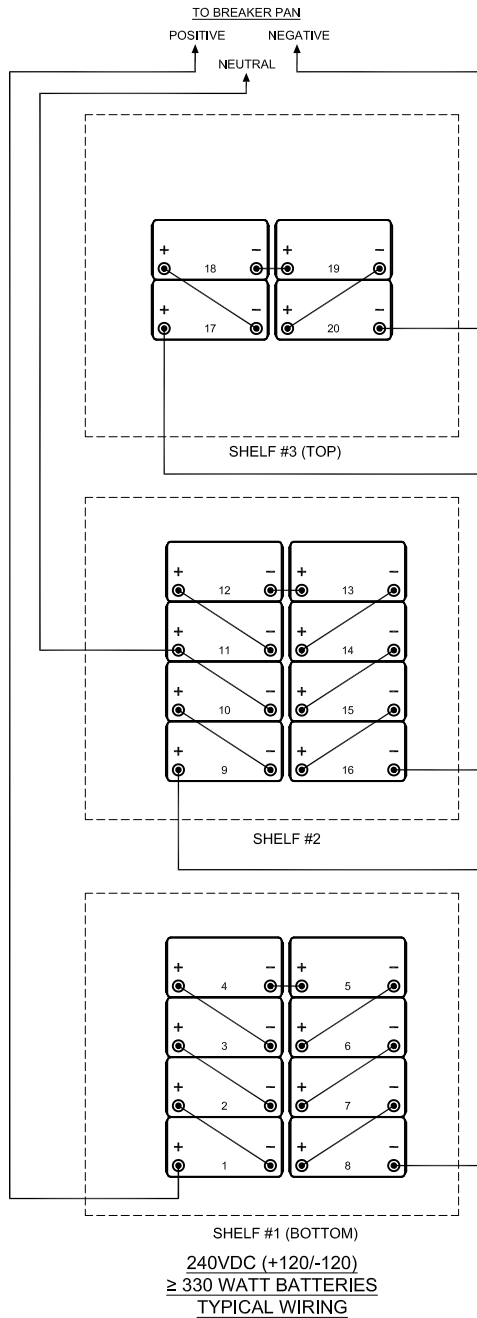
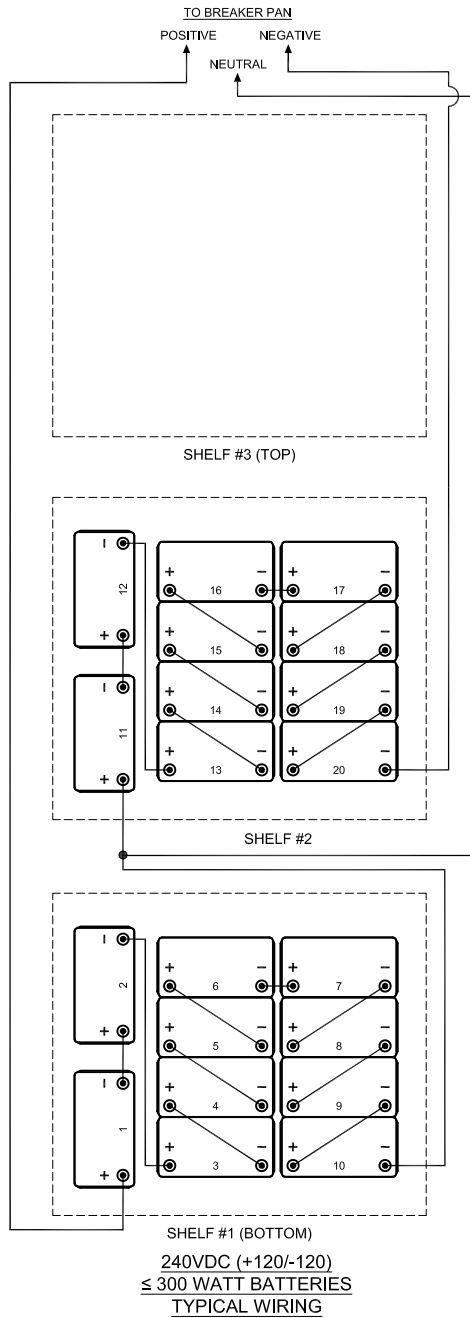
DETAIL VIEW

- NOTES:**
1. NEMA 1 ENCLOSED BATTERY CABINET.
 2. FACTORY ASSEMBLED CABINETS ARE LISTED TO UL 1778.
 3. WELDED STEEL CONSTRUCTION.
 4. INTERIOR & EXTERIOR FINISH IS BLACK SAND TEXTURE POWDER COAT, OVEN BAKED FOR CHIP & CORROSION RESISTANT FINISH.
 5. A MINIMUM REAR CLEARANCE OF 2" IS RECOMMENDED FOR OPTIMAL COOLING OF THE EQUIPMENT.
 6. FOR EASE OF CONDUIT INSTALLATION, (1) 5" X 5" CONDUIT PLATE IS PROVIDED TO REPLACE A KNOCKOUT IN THE CABINET.
 7. BATTERIES CAN BE ACCESSED FROM THE FRONT & REAR OF THE CABINET.
 8. CABINET IS SUPPLIED ON SKID WITH HEAVY DUTY RAMP FOR EASY UNLOADING. CABINET IS TO BE MOVED USING THE CABINET CASTERS.

BC20 BATTERY CABINET			
FOR USE W/ POWERVAR / AMETEK 3300 SERIES 10-40 KVA UPS			
MECHANICAL DRAWING			
THE INFORMATION CONTAINED IN THIS DRAWING IS THE SOLE PROPERTY OF C&C POWER, INC. ANY REPRODUCTION WITHOUT THE WRITTEN CONSENT OF C&C POWER, INC IS PROHIBITED.			
DIMENSIONS ARE IN INCHES		INITIALS	DATE
TOLERANCES:		DRAWN TD	02/14/2020
DECIMALS: .XX ±.13	ANGLES: ±1°	CHECKED JRL	02/18/2020
SCALE: NTS	SHEET: A	REV: 1	SHEET 1 OF 2
		 ENGINEERED POWER PRODUCTS WWW.CCPower.COM © 2020 C&C POWER, INC. ALL RIGHTS RESERVED	

BC20 CIRCUIT BREAKER TABLE

KVA	BREAKER SIZE
10	60A
15	90A
20	125A
30	150A
40	200A



BC20 BATTERY CABINET			
FOR USE W/ POWERVAR / AMETEK 3300 SERIES 10-40 KVA UPS			
ELECTRICAL DRAWING			
THE INFORMATION CONTAINED IN THIS DRAWING IS THE SOLE PROPERTY OF C&C POWER, INC. ANY REPRODUCTION WITHOUT THE WRITTEN CONSENT OF C&C POWER, INC IS PROHIBITED.			
DIMENSIONS ARE IN INCHES	INITIALS	DATE	
TOLERANCES:	DRAWN TD	02/13/2020	
DECIMALS: .XX ±.13	CHECKED JRL	02/18/2020	
ANGLES: .XXX ±.082			
SCALE: SEE A	REV: 1	SHEET 2 OF 2	
		 WWW.CCPOWER.COM © 2020 C&C POWER, INC. ALL RIGHTS RESERVED	

NOTES:

1. ALL INTERNAL WIRING IS UL LISTED, MTW, STYLE, 105C, EXTRA FLEXIBLE CABLE.
2. BREAKER IS UL LISTED.
3. BATTERY CABINETS WITH BREAKERS ARE SHIPPED WITH BREAKER IN THE OFF/OPEN POSITION.
4. CABLES FROM BATTERY CABINET TO UPS SYSTEM ARE SUPPLIED BY OTHERS.
5. GROUND CONNECTION IS #14-1/0AWG MECHANICAL LUG.

DRAWING #: 91420-3300-SDC01-2-REV 1