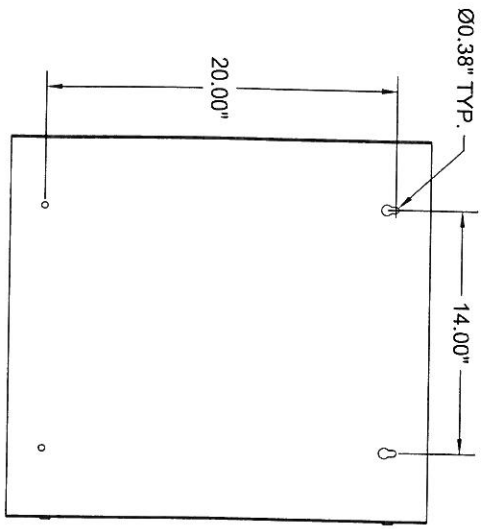
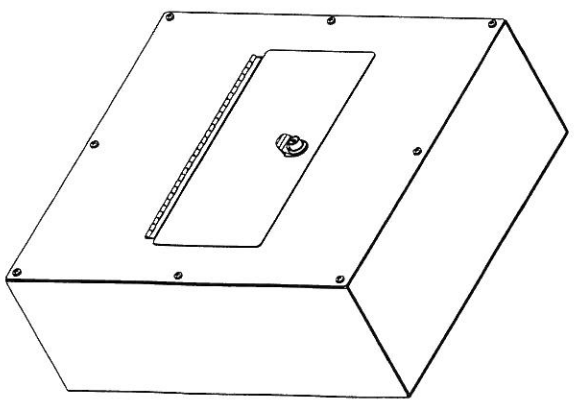
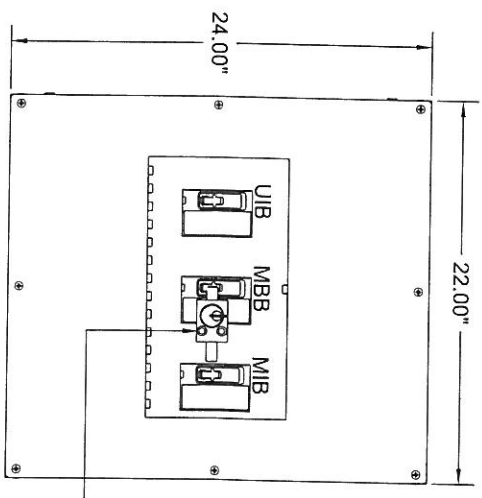


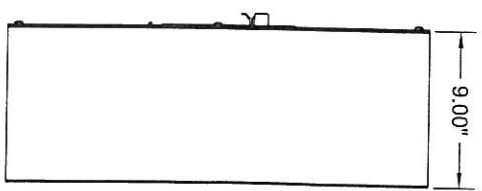
TOP VIEW



REAR VIEW



FRONT VIEW
(DOOR REMOVED)



RIGHT SIDE VIEW

- NOTES:
1. APPROXIMATE WEIGHT: 55 LBS
 2. ASSEMBLY IS UL/CUL LISTED TO UL 891 AND C22.2 NO. 244.
 3. NEMA 1 WALL MOUNT ENCLOSURE
 4. THE BOX & TRIM ARE CONSTRUCTED OF GALVANIZED STEEL.
 5. THE TRIM FINISH IS POWDER COATED ON ALL EXTERNAL AND VISIBLE SURFACES. BOX AND ALL INTERNAL MOUNT BRACKETS ARE GALVANIZED FINISH.
 6. THE PANEL IS PROVIDED WITH A KEY LOCKING PUSH TO CLOSE LATCH ON THE ACCESS COVER
 7. THE PANEL IS TO BE MOUNTED THROUGH THE Ø0.375" HOLES IN THE BACK OF THE ENCLOSURE.

90885 SERIES WALL MOUNT MAINTENANCE BYPASS PANEL
 15A-225A, 208Y/120V, 3Ø/1W/G, 3 BREAKER
 INTERLOCK CONFIGURATION 13

THE INFORMATION CONTAINED IN THIS DRAWING IS THE SOLE PROPERTY OF C&C POWER, INC. ANY REPRODUCTION WITHOUT THE WRITTEN CONSENT OF C&C POWER, INC IS PROHIBITED.

DIMENSIONS ARE IN INCHES

TOLERANCES:	INITIALS	DATE
DECIMALS: .015	DRAWN PJC	9/21/2013
ANGLES: ±1°	CHECKED CH	12/4/2015

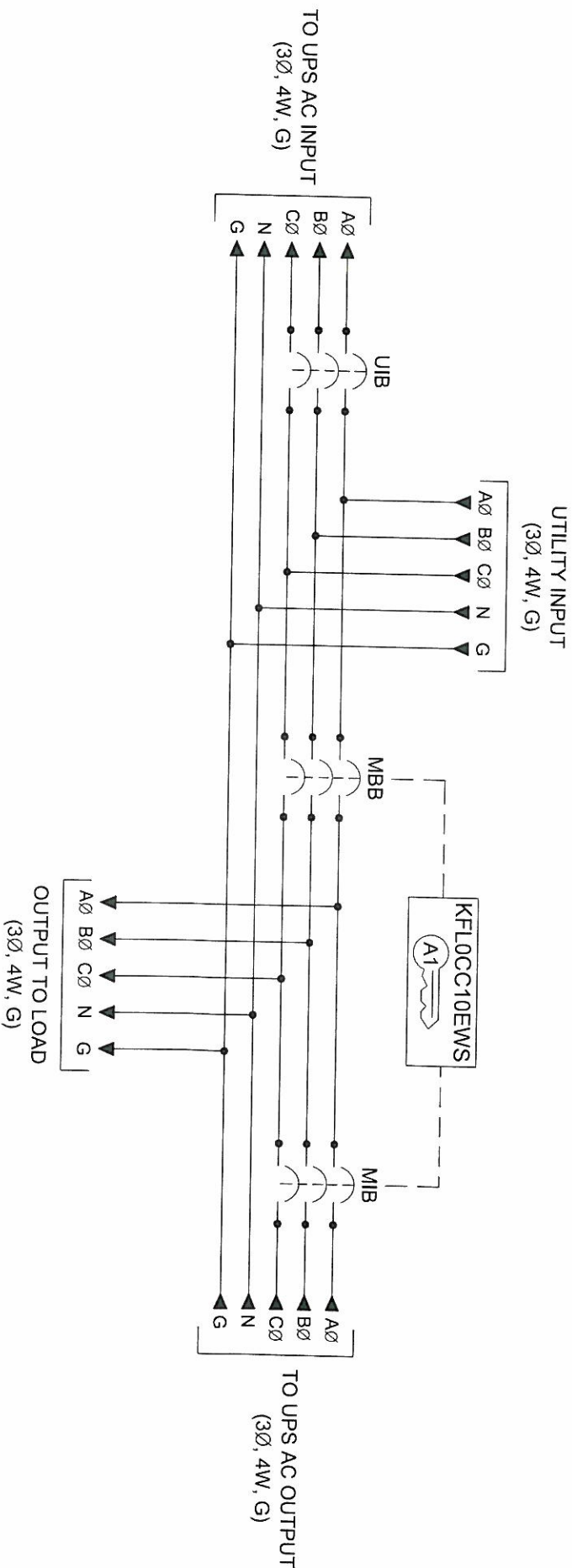
SCALE: 1" = 1" A 2 SHEET 1 OF 2

C&C POWER
 ENGINEERED POWER PRODUCTS
 WWW.CCPOWER.COM

© 2015 C&C POWER, INC.
 ALL RIGHTS RESERVED

CIRCUIT BREAKER SUMMARY

BREAKER TYPE	BREAKER MODEL	TRIP	BREAKER AIC	PANEL AIC	WIRE RANGE
CUTLER HAMMER SERIES C	EHD3XXX	15-100A	18K @ 240VAC	10K @ 240VAC	(1) 14 - 1/0
	EDB3XXX	125-225A	22K @ 240VAC	10K @ 240VAC	(1) 4 - 4/0



NOTES:

- "UIB" UPS INPUT BREAKER
- "MBB" MAINTENANCE BYPASS BREAKER
- "MIB" MAINTENANCE ISOLATION BREAKER
- 450A RATED NEUTRAL BUS PROVIDED WITH MECHANICAL LUGS THAT ACCEPT A TOTAL OF (4) #6 - 350 MCM CABLES.
- GROUND LUG ACCEPTS (3) #6 - 350 MCM CABLES.
- MECHANICAL LUGS USED FOR THE UTILITY INPUT & THE OUTPUT TO LOAD HAVE THE SAME WIRE RANGE AS THE CIRCUIT BREAKERS.
- THIS DRAWING IS TO BE USED FOR ELECTRICAL PURPOSES ONLY AND DOES NOT REPRESENT THE ACTUAL MECHANICAL LAYOUT OF THE EQUIPMENT.

90885 SERIES WALL MOUNT MAINTENANCE BYPASS PANEL
 15A-225A, 208Y/120V, 3Ø/4W/G, 3 BREAKER
 INTERLOCK CONFIGURATION 13

THE INFORMATION CONTAINED IN THIS DRAWING IS THE SOLE PROPERTY OF C&C POWER, INC. ANY REPRODUCTION WITHOUT THE WRITTEN CONSENT OF C&C POWER, INC IS PROHIBITED.
 DIMENSIONS ARE IN INCHES
 TOLERANCES: ANGLES: 31°
 DECIMALS: .005
 FRACTIONS: 1/16

DESIGNED BY	INITIALS	DATE
DRAWN	PJC	9/21/2013
CHECKED BY	CH	12/6/2015

C&C POWER
 ENGINEERED POWER PRODUCTS
 WWW.CCPOWER.COM

© 2015 C&C POWER, INC.
 ALL RIGHTS RESERVED

SHEET 2 OF 2