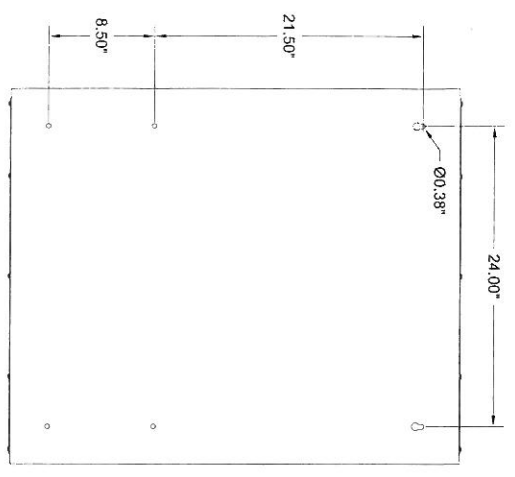
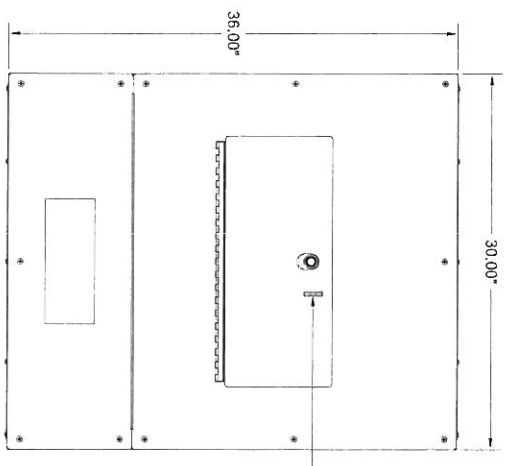


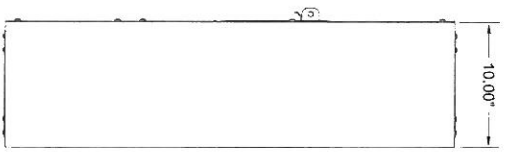
TOP VIEW



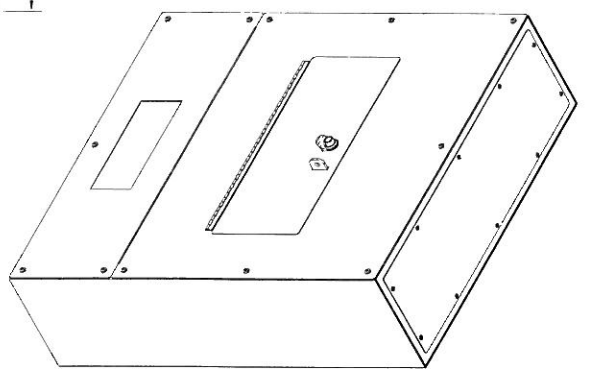
REAR VIEW



FRONT VIEW



RIGHT SIDE VIEW



- NOTES:
- APPROXIMATE WEIGHT: 100 LBS.
  - NEMA 1 WALL MOUNT ENCLOSURE.
  - THE BOX & TRIM ARE CONSTRUCTED OF GALVANIZED STEEL.
  - THE CABINET IS TO BE MOUNTED THROUGH THE 0.375" HOLES IN THE BACK OF THE ENCLOSURE.
  - THE TRIM FINISH IS POWDER COAT ON ALL EXTERNAL AND VISIBLE SURFACES. BOX AND INTERNAL MOUNT BRACKETS ARE GALVANIZED FINISH.

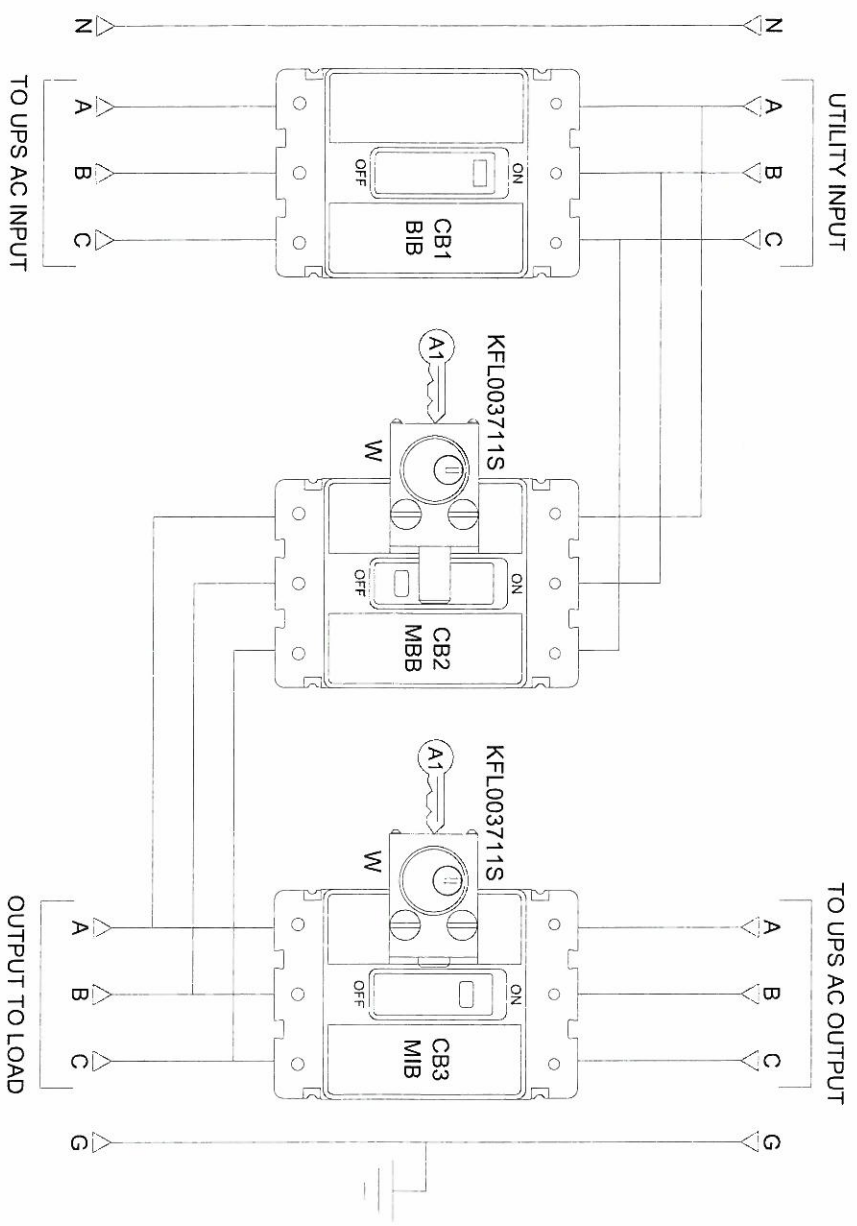
90880 SERIES WALL MOUNT MAINTENANCE BYPASS CABINET	
15A-225A, 208V, 3PH / 4W, 3 BREAKER	
INTERLOCK CONFIGURATION 2	
DIMENSIONS IN PARENTHESIS ARE IN INCHES	DATE
BOXING PJC	9/27/11
DECIMALS ANGLES	XX 2.13
TICKETS CH	10/5/11
DATE PLOT: 10/5/11	
DRAWING: SEE NOTES	
PARTS: SEE NOTES	
CAD GENERATED DRAWING	
DO NOT MANUALLY UPDATE	
SCALE: 1" = 1"	SHEET 1 OF 2
APP: A	REV: 2

THE INFORMATION CONTAINED IN THIS DRAWING IS THE SOLE PROPERTY OF C&C POWER, INC. ANY REPRODUCTION WITHOUT THE WRITTEN PERMISSION OF C&C POWER, INC. IS PROHIBITED.

**C&C POWER**  
 ENGINEERED POWER PRODUCTS  
 949 N. Larch Ave. - Elmhurst, IL 60126  
 © 2011 C&C POWER, INC.  
 ALL RIGHTS RESERVED

CIRCUIT BREAKER SUMMARY

BREAKER TYPE	BREAKER FRAME	BREAKER MODEL	TRIP	AIC	WIRE RANGE
CUTLER HAMMER SERIES C	F FRAME	EHD3XXX	15-100A	18K @ 240VAC	(1) 14 - 1/0
		EDB3XXX	125-225A	22K @ 240VAC	(1) 4 - 4/0
		ED3XXX	15-60A	65K @ 240VAC	(1) 14 - 1/0
		FD3XXX	70-90A	65K @ 240VAC	(1) 14 - 1/0
		ED3100	100A	65K @ 240VAC	(1) 14 - 1/0
		ED3XXX	110-225A	65K @ 240VAC	(1) 4 - 4/0



- NOTES:
- "BIB" BYPASS INPUT BREAKER
  - "MBB" MAINTENANCE BYPASS BREAKER
  - "MIB" MAINTENANCE ISOLATION BREAKER
  - BREAKERS ARE SHOWN IN NORMAL OPERATING CONDITION.
  - NEUTRAL LUG ACCEPTS (3) #6 - 350 MCM CABLES.
  - GROUND LUG ACCEPTS (3) #6 - 350 MCM CABLES.
  - THIS DRAWING IS TO BE USED FOR ELECTRICAL PURPOSES ONLY AND DOES NOT REPRESENT THE ACTUAL MECHANICAL LAYOUT OF THE EQUIPMENT.

- KIRK KEY NOTES:
- THE "E" OR "W" NEXT TO THE INTERLOCK INDICATES THE POSITION OF THE INTERLOCK BOLT WHEN THE KEY IS REMOVABLE. "E" = EXTENDED AND "W" = WITHDRAWN.
  - THE KEY OR KEYS NEXT TO THE INTERLOCK INDICATES THE KEY NUMBER THAT FUNCTIONS WITH THE INTERLOCK.

90880 SERIES WALL MOUNT MAINTENANCE BYPASS CABINET  
 15A-225A, 208V, 3PH / 4W, 3 BREAKER  
 INTERLOCK CONFIGURATION 2

DESIGNER	DATE	THE INFORMATION CONTAINED IN THIS DRAWING IS THE SOLE PROPERTY OF C&C POWER, INC. NO PART OF THIS DRAWING IS TO BE REPRODUCED OR TRANSMITTED IN ANY FORM OR BY ANY MEANS, ELECTRONIC OR MECHANICAL, INCLUDING PHOTOCOPYING, RECORDING, OR BY ANY INFORMATION STORAGE AND RETRIEVAL SYSTEM.
DRAWN	9/27/11	
CHECKED	08/31/11	
APPROVED		

FORM 577 SEE NOTES SHEET 1  
 CAD GENERATED DRAWING  
 DO NOT MANUALLY UPDATE  
 SHEET 2 OF 2

**C&C POWER**  
 ENGINEERED POWER PRODUCTS  
 949 N. Larch Ave. - Elmhurst, IL 60126  
 © 2011 C&C POWER, INC.  
 ALL RIGHTS RESERVED