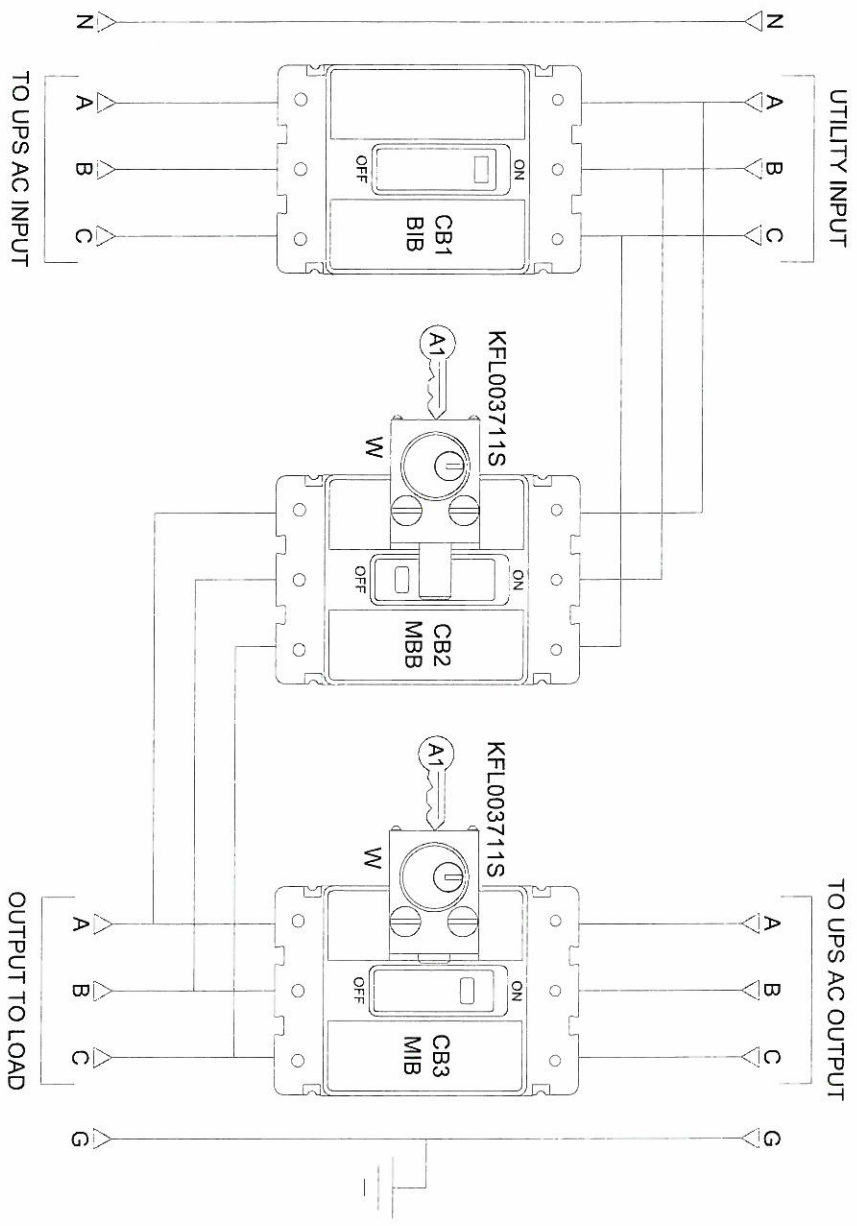


- NOTES:
- APPROXIMATE WEIGHT: 100 LBS.
 - NEMA 1 WALL MOUNT ENCLOSURE.
 - THE BOX & TRIM ARE CONSTRUCTED OF GALVANIZED STEEL.
 - THE CABINET IS TO BE MOUNTED THROUGH THE 0.375" HOLES IN THE BACK OF THE ENCLOSURE.
 - THE TRIM FINISH IS POWDER COAT ON ALL EXTERNAL AND VISIBLE SURFACES. BOX AND INTERNAL MOUNT BRACKETS ARE GALVANIZED FINISH.

90880 SERIES WALL MOUNT MAINTENANCE BYPASS CABINET	
15A-225A, 208V, 3PH / 4W, 3 BREAKER	
INTERLOCK CONFIGURATION 2	
DIMENSIONS ARE IN INCHES TOLERANCES: ANGLES 1° DECIMALS: .005 XXX: F.002	DATE: 10/2/11 DRAWN: PJC CHECKED: CH DESIGNED: SEE NOTES
FIRST: SEE NOTES CAD GENERATED DRAWING DO NOT MANUALLY UPDATE	SHEET 1 OF 2
C&C POWER ENGINEERED POWER PRODUCTS 949 N. Larch Ave. - Elmhurst, IL 60126 © 2011 C&C POWER, INC. ALL RIGHTS RESERVED	

CIRCUIT BREAKER SUMMARY

BREAKER TYPE	BREAKER FRAME	BREAKER MODEL	TRIP	AIC	WIRE RANGE
CUTLER HAMMER SERIES C	F FRAME	EHD3XXX	15-100A	18K @ 240VAC	(1) 14 - 1/0
		EDB3XXX	125-225A	22K @ 240VAC	(1) 4 - 4/0
		ED3XXX	15-60A	65K @ 240VAC	(1) 14 - 1/0
		FD3XXX	70-90A	65K @ 240VAC	(1) 14 - 1/0
		ED3100	100A	65K @ 240VAC	(1) 14 - 1/0
		ED3XXX	110-225A	65K @ 240VAC	(1) 4 - 4/0



- NOTES:
- "BIB" BYPASS INPUT BREAKER
 - "MBB" MAINTENANCE BYPASS BREAKER
 - "MIB" MAINTENANCE ISOLATION BREAKER
 - BREAKERS ARE SHOWN IN NORMAL OPERATING CONDITION.
 - NEUTRAL LUG ACCEPTS (3) #6 - 350 MCM CABLES.
 - GROUND LUG ACCEPTS (3) #6 - 350 MCM CABLES.
 - THIS DRAWING IS TO BE USED FOR ELECTRICAL PURPOSES ONLY AND DOES NOT REPRESENT THE ACTUAL MECHANICAL LAYOUT OF THE EQUIPMENT.

- KIRK KEY NOTES:
- THE "E" OR "W" NEXT TO THE INTERLOCK INDICATES THE POSITION OF THE INTERLOCK BOLT WHEN THE KEY IS REMOVABLE. "E" = EXTENDED AND "W" = WITHDRAWN.
 - THE KEY OR KEYS NEXT TO THE INTERLOCK INDICATES THE KEY NUMBER THAT FUNCTIONS WITH THE INTERLOCK.

90880 SERIES WALL MOUNT MAINTENANCE BYPASS CABINET
 15A-225A, 208V, 3PH / 4W, 3 BREAKER
 INTERLOCK CONFIGURATION 2

DIMENSIONS (SEE DIMENSIONS)	WIRING SCHEDULE	DATE
TOLERANCES: DECIMALS: .01" FRACTIONS: 1/32" ANGLES: 45°	ISSUED BY: PJC	9/27/11
XXX ±.062	APPROVED BY: CH	10/5/11

REVISION: SEE NOTES SHEET 1
 PARTS: SEE NOTES SHEET 1
 FINISH: SEE NOTES SHEET 1

CAD GENERATED DRAWING
 DO NOT MANUALLY UPDATE

SHEET 2 OF 2

949 N. Larch Ave. - Elmhurst, IL 60126
C&C POWER
 ENGINEERED POWER PRODUCTS
 © 2011 C&C POWER, INC.
 ALL RIGHTS RESERVED