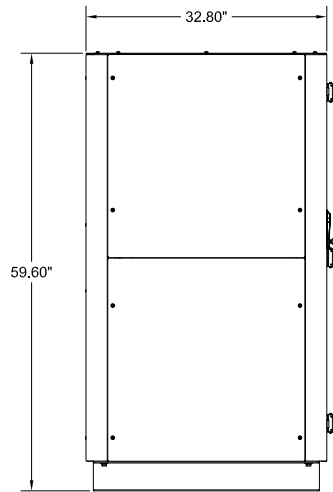
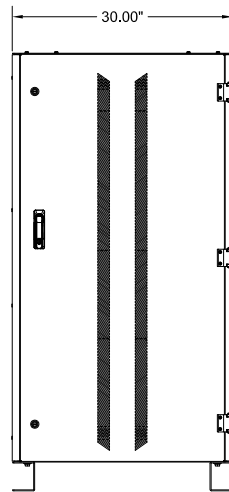


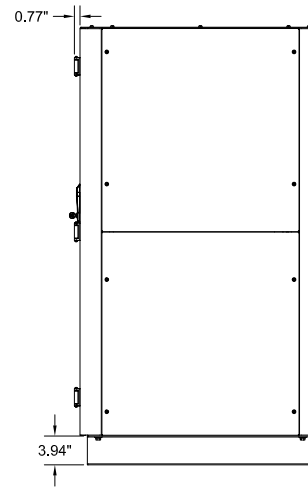
TOP VIEW



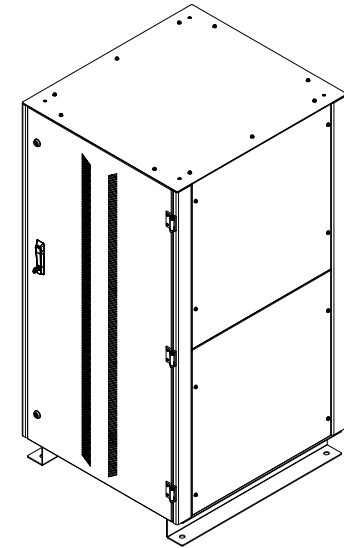
LEFT SIDE VIEW



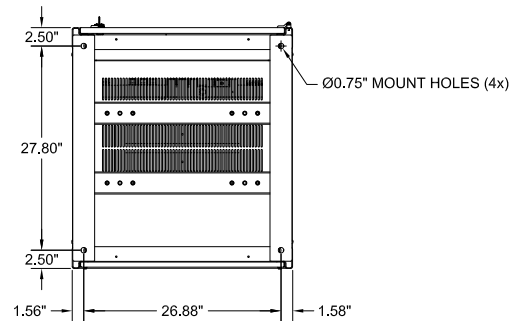
FRONT VIEW



RIGHT SIDE VIEW



ISOMETRIC VIEW



BOTTOM VIEW

- NOTES:
- APPROXIMATE WEIGHT: 750 LBS.
 - NEMA 1 TYPE ENCLOSURE.
 - THE CABINET IS CONSTRUCTED FROM GALVANIZED STEEL.
 - THE CABINET IS TO BE MOUNTED THROUGH THE 0.750" HOLES IN THE CABINET LEGS. THE LEGS ARE FORMED FROM 10 GAUGE STEEL.
 - FINISH IS POWDER COAT ON ALL EXTERNAL AND VISIBLE SURFACES, INTERIOR PANELS AND MOUNT BRACKETS ARE GALVANIZED FINISH.
 - CABINET LEGS ARE REVERSIBLE FOR EASY ACCESS TO CABINET FLOOR MOUNTING HARDWARE.

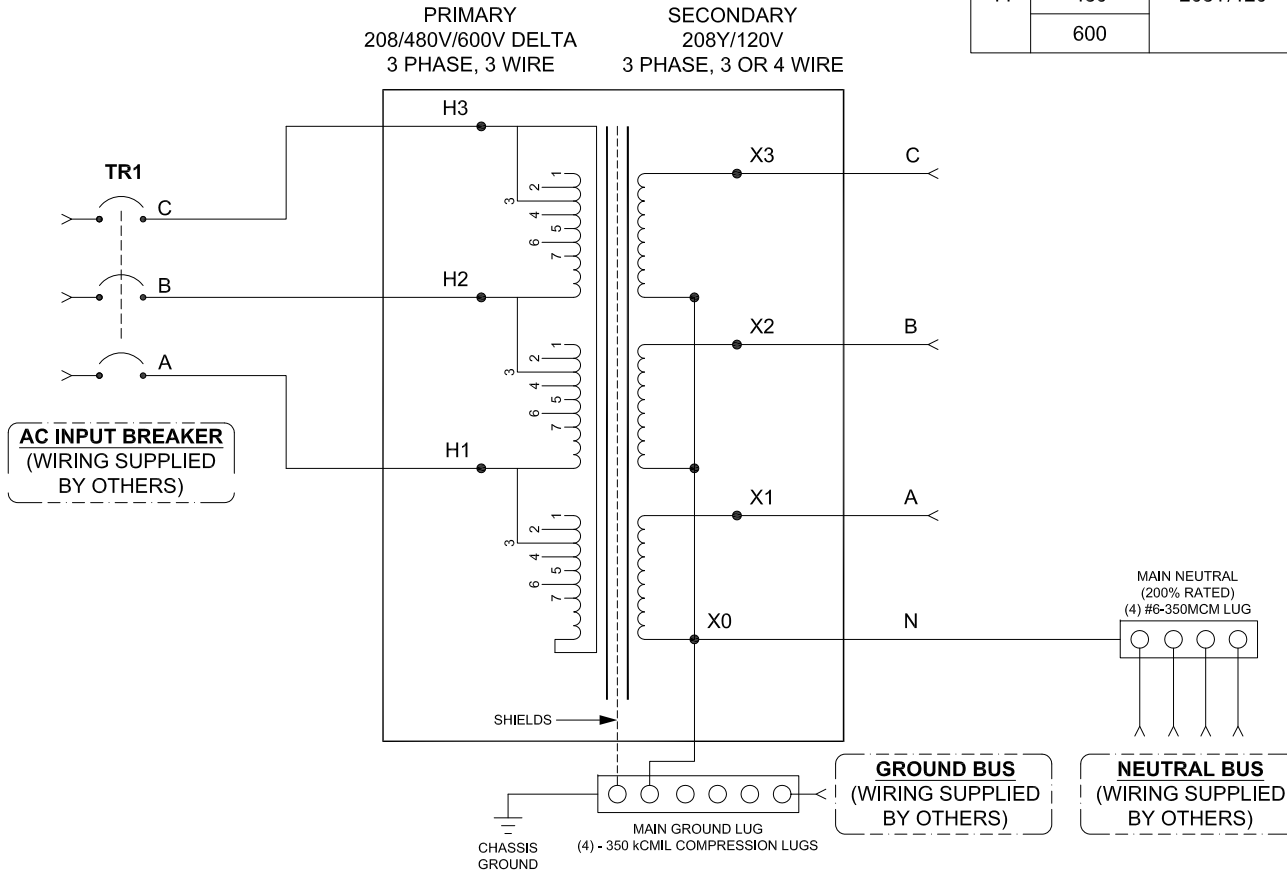
90855-B SERIES TRANSFORMER CABINET			
FOR 30-40 KVA 3200 SERIES UPS			
208D/480D/600D-208Y/120V INPUT TRANSFORMER			
DIMENSIONS ARE IN INCHES		INITIALS	DATE
TOLERANCES:		DRAWN	3/12/12
DECIMALS: .XX ±.13	ANGLES: ±1°	PJC	
.XXX ±.062		CHECKED	8/6/12
MATERIAL: SEE NOTES SHEET 1			
FINISH: SEE NOTES SHEET 1			
CAD GENERATED DRAWING DO NOT MANUALLY UPDATE			
SCALE: NTS	SIZE: A	REV: 1	SHEET 1 OF 2

C&C POWER
ENGINEERED POWER PRODUCTS
WWW.CCPower.COM

© 2012 C&C POWER, INC.
ALL RIGHTS RESERVED

AC INPUT BREAKER SUMMARY						
UPS KVA	XFRMR KVA	INPUT VOLTAGE	BREAKER MODEL	TRIP	AIC	WIRE RANGE
30-40	44	208	ED3175	175A	65K @ 240VAC	(1) 4 - 4/0
		480	HFD3070	70A	65K @ 480VAC	(1) 14 - 1/0
		600	FDB3060	60A	10K @ 600VAC	(1) 14 - 1/0

TRANSFORMER RATINGS							
KVA	PRIMARY VOLTAGE	SECONDARY VOLTAGE	FREQUENCY	MATERIAL	TEMP RISE	K FACTOR	EFFICIENCY
44	208	208Y/120	60 HZ	CU	150°C	K0	TP1
	480						
	600						



HIGH VOLTAGE: LINES ON H1, H2, H3								
XFRMR PRIMARY (V)	TAP CONFIGURATION							
	CONNECT	1	2	3	4	5	6	7
208	VOLTS	218	213	208	203	198	192	187
480		504	492	480	468	456	444	432
600		630	615	600	585	570	555	540

LOW VOLTAGE: LINES ON X1, X2, X3	
LINE - LINE	LINE - NEUTRAL
208 V	120 V

NOTES:

- NEUTRAL LUG ACCEPTS (4) #6 - 350 MCM CABLES.
- GROUND LUG ACCEPTS (4) #6 - 350 MCM CABLES.
- X1, X2 & X3 LANDINGS ACCEPT 2 HOLE LUGS ON 1-3/4" CENTERS FOR 3/8" BOLTS.
- X1, X2 & X3 ARE PROVIDED WITH (1) #6 - 350 MCM MECHANICAL LUG.
- THIS DRAWING IS TO BE USED FOR ELECTRICAL PURPOSES ONLY AND DOES NOT REPRESENT THE ACTUAL MECHANICAL LAYOUT OF THE EQUIPMENT.

90855-B SERIES TRANSFORMER CABINET			
FOR 30-40 KVA 3200 SERIES UPS			
208D/480D/600D-208Y/120V INPUT TRANSFORMER			
DIMENSIONS ARE IN INCHES	INITIALS	DATE	THE INFORMATION CONTAINED IN THIS DRAWING IS THE SOLE PROPERTY OF C&C POWER, INC. ANY REPRODUCTION WITHOUT THE WRITTEN CONSENT OF C&C POWER, INC IS PROHIBITED.
TOLERANCES:	DRAWN	PJC	
DECIMALS: .XX ±.13	ANGLES:	5/30/12	
.XXX ±.062	±1"	CHECKED	CH
MATERIAL: SEE NOTES SHEET 1			
FINISH: SEE NOTES SHEET 1			
CAD GENERATED DRAWING DO NOT MANUALLY UPDATE			
SCALE:	SIZE:	REV:	1
SHEETS		SHEET 2 OF 2	

C&C POWER
ENGINEERED POWER PRODUCTS
WWW.CCPower.COM

© 2012 C&C POWER, INC.
ALL RIGHTS RESERVED