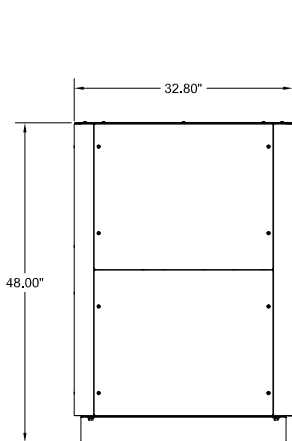
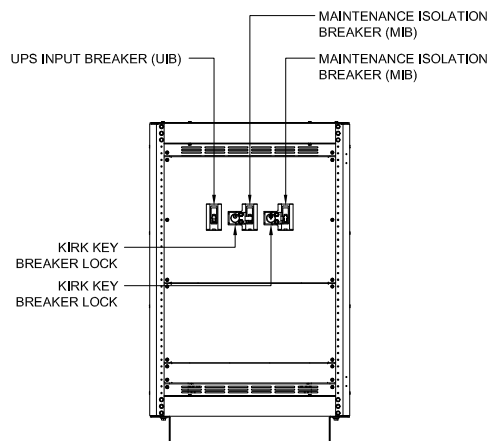


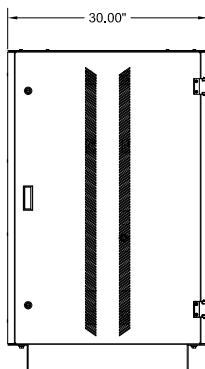
TOP VIEW



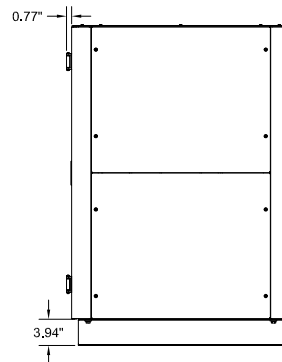
LEFT SIDE VIEW



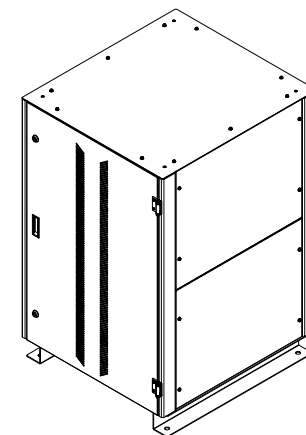
FRONT VIEW  
(DOOR REMOVED)



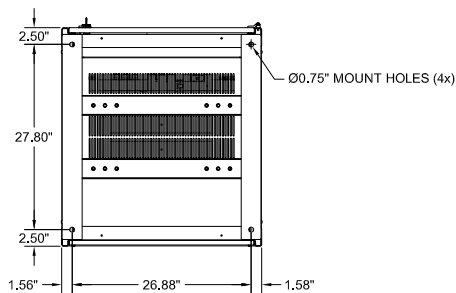
FRONT VIEW



RIGHT SIDE VIEW



ISOMETRIC VIEW



BOTTOM VIEW

NOTES:

- 1. APPROXIMATE WEIGHT: 602 LBS.
- 2. NEMA 1 TYPE ENCLOSURE.
- 3. THE CABINET IS CONSTRUCTED FROM GALVANIZED STEEL.
- 4. THE CABINET IS TO BE MOUNTED THROUGH THE 0.750" HOLES IN THE CABINET LEGS. THE LEGS ARE FORMED FROM 10 GAUGE STEEL.
- 5. FINISH IS POWDER COAT ON ALL EXTERNAL AND VISIBLE SURFACES. INTERIOR PANELS AND MOUNT BRACKETS ARE GALVANIZED FINISH.
- 6. CABINET LEGS ARE REVERSIBLE FOR EASY ACCESS TO CABINET FLOOR MOUNTING HARDWARE.

Powervar PN 32020-4FX2MB3			
10-20 KVA, 120V/208V, 3PH/4W 3 BREAKER			
INTERLOCK CONFIGURATION 2			
DIMENSIONS ARE IN INCHES	INITIALS	DATE	THE INFORMATION CONTAINED IN THIS DRAWING IS THE SOLE PROPERTY OF C&C POWER, INC. ANY REPRODUCTION WITHOUT THE WRITTEN CONSENT OF C&C POWER, INC IS PROHIBITED.
TOLERANCES:	DRAWN	PJC	
DECIMALS: .XX ±.13 ANGLES: ±1° XXX ±.062	CHECKED	PC	
MATERIAL: SEE NOTES			11/20/2014
FINISH: SEE NOTES			
CAD GENERATED DRAWING DO NOT MANUALLY UPDATE			
SCALE: SEE NTS	REV: 1	SHEET 1 OF 2	

**C&C POWER**  
ENGINEERED POWER PRODUCTS  
WWW.CCPower.COM  
© 2014 C&C POWER, INC.  
ALL RIGHTS RESERVED

**AC INPUT TRANSFORMER RATINGS (K=0)**

KVA	PRIMARY VOLTAGE	SECONDARY VOLTAGE	FREQUENCY, HZ	MATERIAL	TEMP RISE, °C	%IZ	TP-1 EFFICIENCY, %
33	480	208Y/120	60	AL	150	4.5	97.54

**MAINTENANCE BYPASS CIRCUIT BREAKER SUMMARY**

BREAKER TYPE	BREAKER FRAME	UPS KVA	BREAKER MODEL	TRIP	AIC	WIRE RANGE
CUTLER HAMMER SERIES C	F FRAME	10-20	EDB3125	125A	22K @ 240VAC	(1) 4 - 4/0

**HIGH VOLTAGE: LINES ON H1, H2, H3**

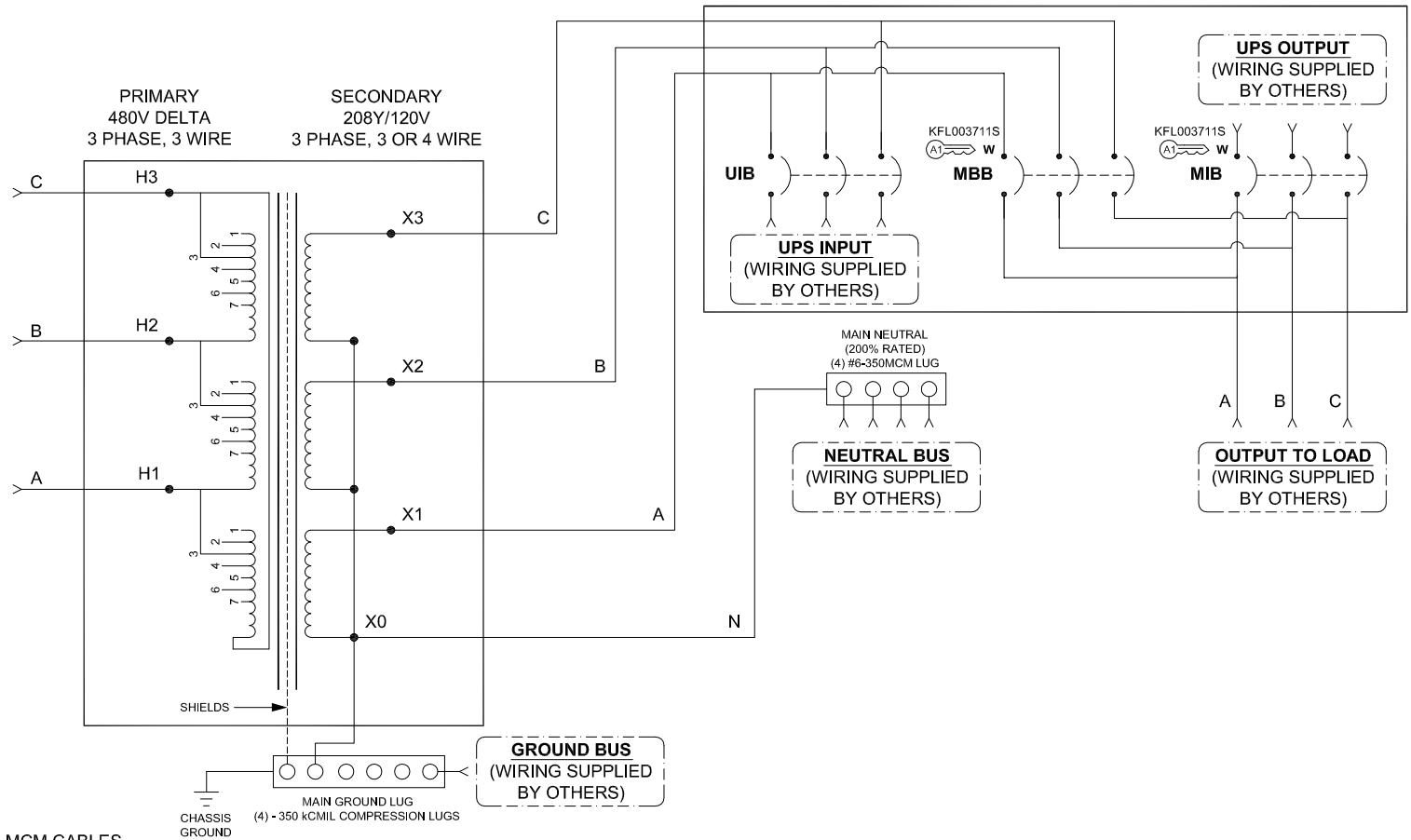
XFRMR PRIMARY (V)	CONNECT	1	2	3	4	5	6	7
480	VOLTS	504	492	480	468	456	444	432

**LOW VOLTAGE: LINES ON X1, X2, X3**

LINE - LINE	LINE - NEUTRAL
208 V	120 V

**AC INPUT BREAKER SIZING**

UPS KVA	XFRMR KVA	BREAKER SIZE
10-20	33	50A



**NOTES:**

1. MAIN NEUTRAL LUG ACCEPTS (4) #6 - 350 MCM CABLES.
2. MAIN GROUND LUG ACCEPTS (4) #6 - 350 MCM CABLES.
3. "UIB" UPS INPUT BREAKER.
4. "MBB" MAINTENANCE BYPASS BREAKER.
5. "MIB" MAINTENANCE ISOLATION BREAKER.
6. H1, H2 & H3 LANDINGS ACCEPT 2 HOLE LUGS ON 5/8" CENTERS FOR 1/4" BOLTS.
7. THIS DRAWING IS TO BE USED FOR ELECTRICAL PURPOSES ONLY AND DOES NOT REPRESENT THE ACTUAL MECHANICAL LAYOUT OF THE EQUIPMENT.

**KIRK KEY NOTES:**

1. THE "E" OR "W" NEXT TO THE INTERLOCK INDICATES THE POSITION OF THE INTERLOCK BOLT WHEN THE KEY IS REMOVABLE. "E" = EXTENDED AND "W" = WITHDRAWN.
2. THE KEY OR KEYS NEXT TO THE INTERLOCK INDICATES THE KEY NUMBER THAT FUNCTIONS WITH THE INTERLOCK.

90856-A SERIES TRANSFORMER CABINET WITH MBP			
125A-200A, 120V/208V, 3PH/4W, 3 BREAKER MAINTENANCE BYPASS			
INTERLOCK CONFIGURATION 2			
DIMENSIONS ARE IN INCHES	INITIALS	DATE	THE INFORMATION CONTAINED IN THIS DRAWING IS THE SOLE PROPERTY OF C&C POWER, INC. ANY REPRODUCTION WITHOUT THE WRITTEN CONSENT OF C&C POWER, INC IS PROHIBITED.
TOLERANCES:	DRAWN	PJC	
DECIMALS: .XX ±.03	ANGLES: ±1°	CHECKED	
.XXX ±.015		PC	11/20/2014
MATERIAL: SEE SHEET ONE NOTES			
FINISH: SEE SHEET ONE NOTES			
CAD GENERATED DRAWING DO NOT MANUALLY UPDATE			
SCALE: SEE NTS	SHEET: A	REV: 1	SHEET 2 OF 2

**C&C POWER**  
ENGINEERED POWER PRODUCTS  
WWW.CCPOWER.COM

© 2014 C&C POWER, INC.  
ALL RIGHTS RESERVED