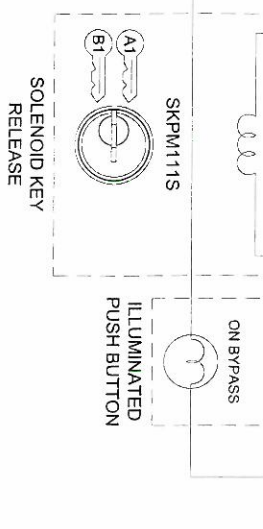
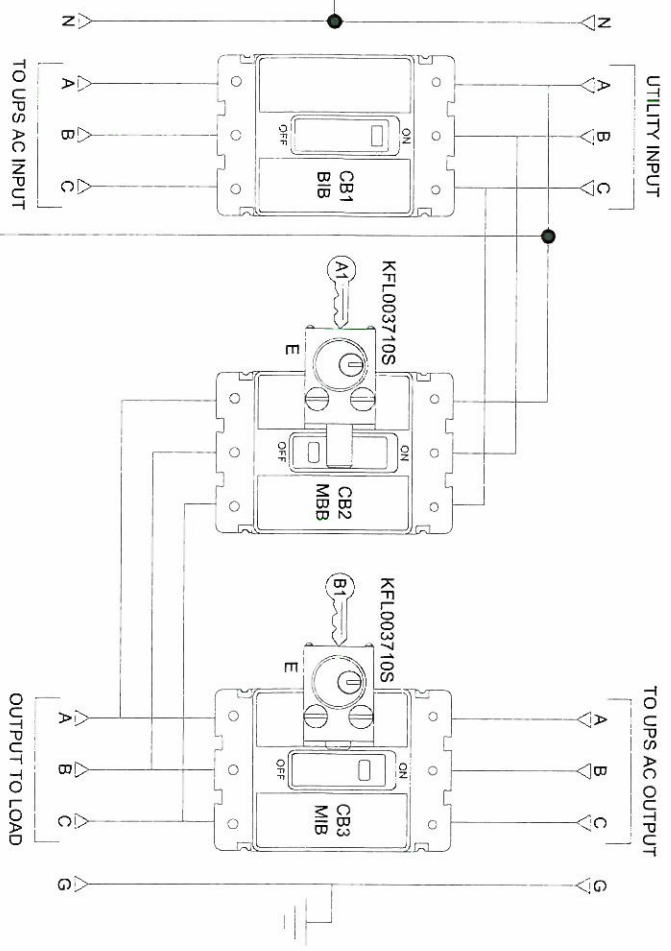


- NOTES:
- APPROXIMATE WEIGHT: 100 LBS.
1. NEMA 1 WALL MOUNT ENCLOSURE.
 2. THE BOX & TRIM ARE CONSTRUCTED OF GALVANIZED STEEL.
 3. THE CABINET IS TO BE MOUNTED THROUGH THE 0.375" HOLES IN THE BACK OF THE ENCLOSURE.
 4. THE TRIM FINISH IS POWDER COAT ON ALL EXTERNAL AND VISIBLE SURFACES, BOX AND INTERNAL MOUNT BRACKETS ARE GALVANIZED FINISH.

90880 SERIES WALL MOUNT MAINTENANCE BYPASS CABINET	
15A-225A, 208V, 3PH / 4W, 3 BREAKER	
INTERLOCK CONFIGURATION 5	
DIMENSIONS ARE IN INCHES	
DATE	9/27/11
DESIGNED BY	PJC
CHECKED BY	CH
DATE	10/5/11
DRAWING NO. 15A-225A	
PROJECT NO. 100591	
C&C POWER PRODUCTS	
949 N. Larch Ave. - Elmhurst, IL 60126	
© 2011 C&C POWER, INC.	
ALL RIGHTS RESERVED	



CIRCUIT BREAKER SUMMARY

BREAKER TYPE	BREAKER FRAME	BREAKER MODEL	TRIP	AIC	WIRE RANGE
CUTLER HAMMER SERIES C	F FRAME	EHD3XXX	15-100A	18K @ 240VAC	(1) 14 - 1/0
		EDB3XXX	125-225A	22K @ 240VAC	(1) 4 - 4/0
		ED3XXX	15-60A	65K @ 240VAC	(1) 14 - 1/0
		FD3XXX	70-90A	65K @ 240VAC	(1) 14 - 1/0
		ED3100	100A	65K @ 240VAC	(1) 14 - 1/0
		ED3XXX	110-225A	65K @ 240VAC	(1) 4 - 4/0

- NOTES:**
- "BIB" BYPASS INPUT BREAKER
 - "MBB" MAINTENANCE BYPASS BREAKER
 - "MIB" MAINTENANCE ISOLATION BREAKER
 - BREAKERS ARE SHOWN IN NORMAL OPERATING CONDITION.
 - NEUTRAL LUG ACCEPTS (3) #6 - 350 MCM CABLES.
 - GROUND LUG ACCEPTS (3) #6 - 350 MCM CABLES.
 - THIS DRAWING IS TO BE USED FOR ELECTRICAL PURPOSES ONLY AND DOES NOT REPRESENT THE ACTUAL MECHANICAL LAYOUT OF THE EQUIPMENT.

- KIRK KEY NOTES:**
- THE "E" OR "W" NEXT TO THE INTERLOCK INDICATES THE POSITION OF THE INTERLOCK BOLT WHEN THE KEY IS REMOVABLE. "E" = EXTENDED AND "W" = WITHDRAWN.
 - THE KEY OR KEYS NEXT TO THE INTERLOCK INDICATES THE KEY NUMBER THAT FUNCTIONS WITH THE INTERLOCK.

90880 SERIES WALL MOUNT MAINTENANCE BYPASS CABINET

15A-225A, 208V, 3PH / 4W, 3 BREAKER

INTERLOCK CONFIGURATION 5

DESIGNED BY	DATE	THE INFORMATION CONTAINED IN THIS DRAWING IS THE SOLE PROPERTY OF C&C POWER, INC. ANY REPRODUCTION WITHOUT THE WRITTEN CONSENT OF C&C POWER, INC. IS PROHIBITED.
CHECKED BY	9/27/11	
DATE	9/27/11	
SCALE	AS SHOWN	
PROJECT	PJC	
DRAWN BY	CH	
CHECKED BY	CH	
DATE	10/29/11	

FINISH: SEE NOTES SHEET 1

CAD GENERATED DRAWING
DO NOT MANUALLY UPDATE

C&C POWER
ENGINEERED POWER PRODUCTS
949 N. Larch Ave. - Elmhurst, IL 60126
© 2011 C&C POWER, INC.
ALL RIGHTS RESERVED