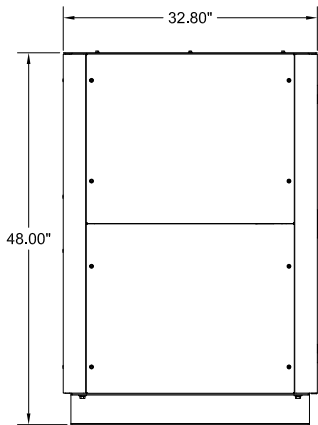
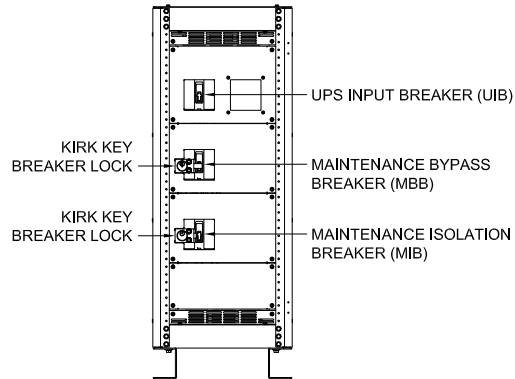


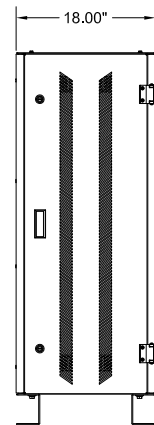
TOP VIEW



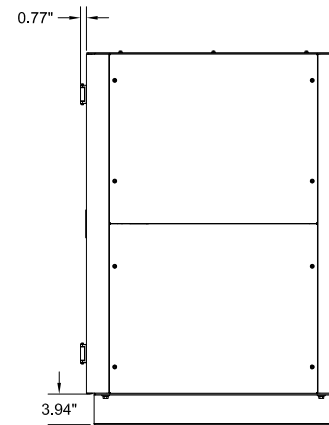
LEFT SIDE VIEW



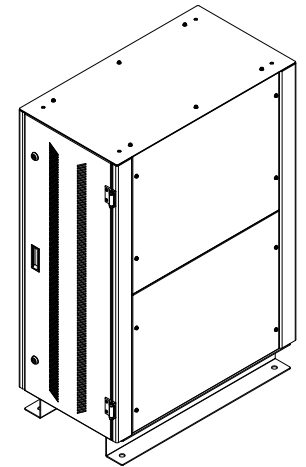
FRONT VIEW  
(DOOR REMOVED)



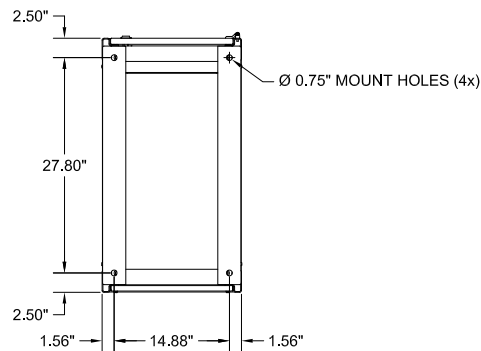
FRONT VIEW



RIGHT SIDE VIEW



ISOMETRIC VIEW



BOTTOM VIEW

NOTES:

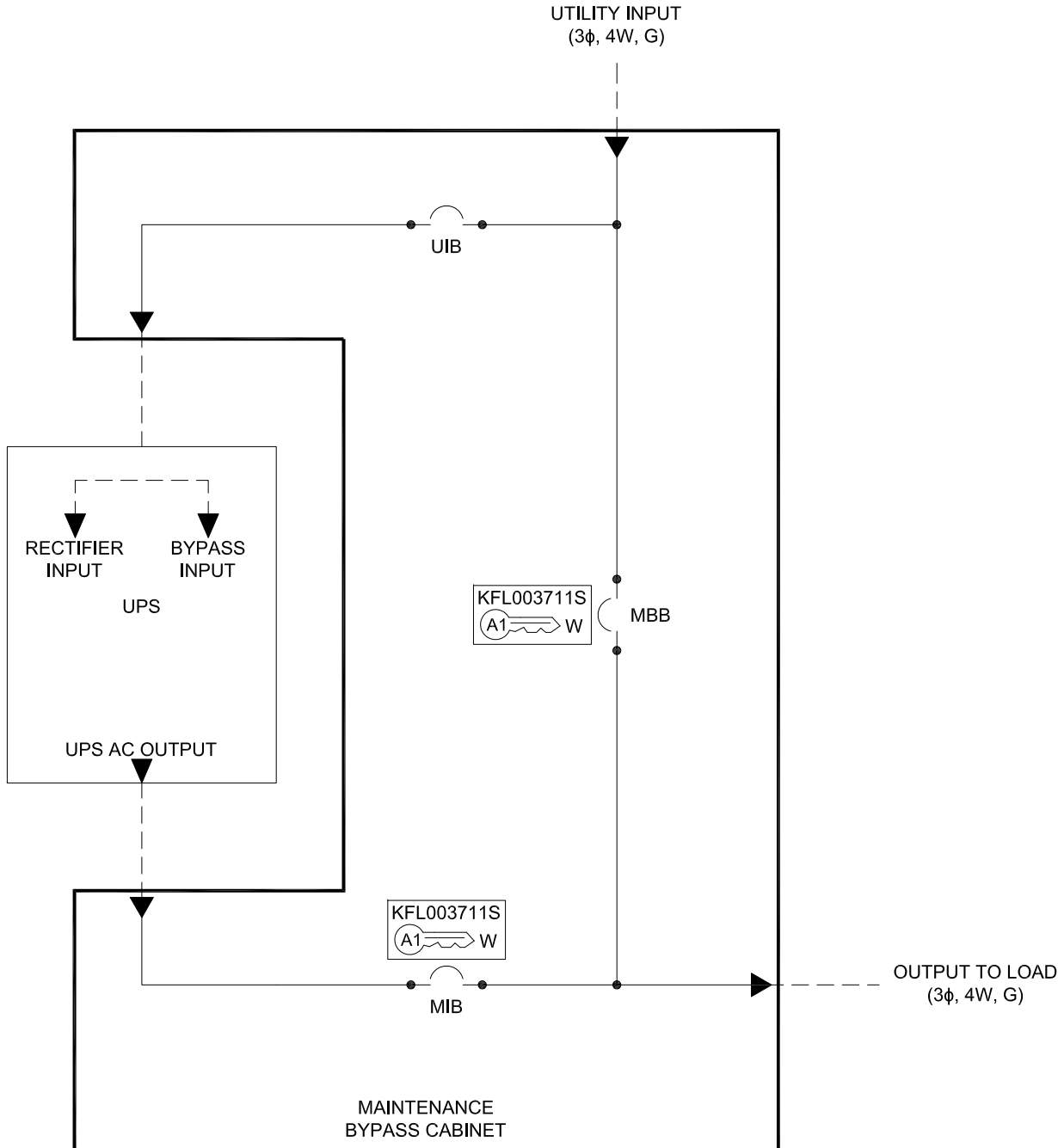
APPROXIMATE WEIGHT: 260 LBS.

1. NEMA 1 TYPE ENCLOSURE.
2. THE CABINET IS CONSTRUCTED FROM GALVANIZED STEEL.
3. THE CABINET IS TO BE MOUNTED THROUGH THE 0.750" HOLES IN THE CABINET LEGS. THE LEGS ARE FORMED FROM 10 GAUGE STEEL.
4. FINISH IS POWDER COAT ON ALL EXTERNAL AND VISIBLE SURFACES, INTERIOR PANELS AND MOUNT BRACKETS ARE GALVANIZED FINISH.
5. CABINET LEGS ARE REVERSIBLE FOR EASY ACCESS TO CABINET FLOOR MOUNTING HARDWARE.

90851 SERIES MAINTENANCE BYPASS BREAKER CABINET			
10-20 KVA, 120V/208V, 3PH/4W 3 BREAKER			
INTERLOCK CONFIGURATION 2			
DIMENSIONS ARE IN INCHES		INITIALS	DATE
TOLERANCES:		DRAWN	02/28/12
DECIMALS:	ANGLES:	CH	
.XX ±.13	±1°	CHECKED	03/06/12
.XXX ±.062			
MATERIAL: SEE NOTES SHEET 1			
FINISH: SEE NOTES SHEET 1			
CAD GENERATED DRAWING DO NOT MANUALLY UPDATE			
SCALE:	SIZE:	REV:	
NTS	A	1	
			SHEET 1 OF 2
<p>THE INFORMATION CONTAINED IN THIS DRAWING IS THE SOLE PROPERTY OF C&amp;C POWER, INC. ANY REPRODUCTION WITHOUT THE WRITTEN CONSENT OF C&amp;C POWER, INC IS PROHIBITED.</p> <p><b>C&amp;C POWER</b> ENGINEERED POWER PRODUCTS 949 N. Larch Ave. - Elmhurst, IL 60126</p> <p>© 2012 C&amp;C POWER, INC. ALL RIGHTS RESERVED</p>			

**CIRCUIT BREAKER SUMMARY**

BREAKER TYPE	KVA	LOCATION	BREAKER MODEL	TRIP	AIC	WIRE RANGE
EATON SERIES C	10	MBB, MIB, UOB1, UOB2	EHD3040	40A	18K @ 240VAC	(1) 14 - 1/0
	20	MBB, MIB, UOB1, UOB2	EHD3070	70A	18K @ 240VAC	(1) 14 - 1/0



**NOTES:**

1. "MBB" MAINTENANCE BYPASS BREAKER
2. "MIB" MAINTENANCE ISOLATION BREAKER
3. "UIB" UPS INPUT BREAKER
4. GROUND LUG ACCEPTS (4) #6 - 350 MCM CABLES.
5. NEUTRAL LUG ACCEPTS (4) #6 - 350 MCM CABLES.

**KIRK KEY NOTES:**

1. THE "E" OR "W" IN THE INTERLOCK SYMBOL INDICATES THE POSITION OF THE INTERLOCK BOLT WHEN THE KEY IS REMOVABLE. "E" = EXTENDED AND "W" = WITHDRAWN.
2. THE KEY OR KEYS IN THE INTERLOCK SYMBOL INDICATES THE KEY NUMBER THAT FUNCTIONS WITH THE INTERLOCK.

-----

**NOTE:**  
DASHED LINES REPRESENT WIRING SUPPLIED BY OTHERS

90851 SERIES MAINTENANCE BYPASS BREAKER CABINET			
10-20 KVA, 120V/208V, 3PH/4W 3 BREAKER			
INTERLOCK CONFIGURATION 2			
DIMENSIONS ARE IN INCHES	INITIALS	DATE	THE INFORMATION CONTAINED IN THIS DRAWING IS THE SOLE PROPERTY OF C&C POWER, INC. ANY REPRODUCTION WITHOUT THE WRITTEN CONSENT OF C&C POWER, INC IS PROHIBITED.
TOLERANCES:	DRAWN CH	03/02/12	
DECIMALS: .XX ±.13	ANGLES: ±1°	CHECKED CH	03/06/12
MATERIAL: SEE NOTES SHEET 1	FINISH: SEE NOTES SHEET 1		
CAD GENERATED DRAWING DO NOT MANUALLY UPDATE			<b>C&amp;C POWER</b> <b>ENGINEERED POWER PRODUCTS</b> 949 N. Larch Ave. - Elmhurst, IL 60126 © 2012 C&C POWER, INC. ALL RIGHTS RESERVED
SCALE: NTS	SIZE: A	REV: 1	