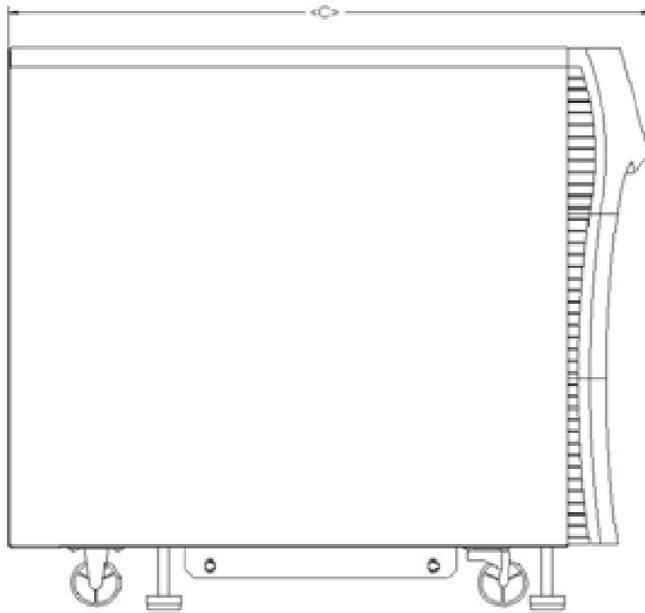
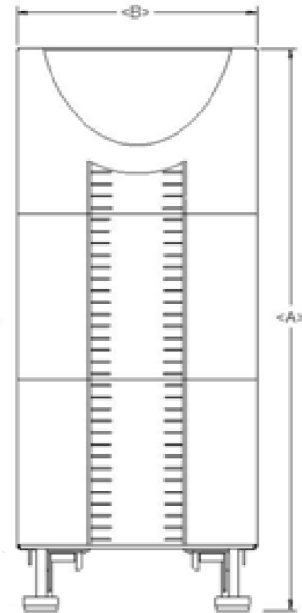


8kVA-15kVA Battery Cabinet



SIDE



FRONT

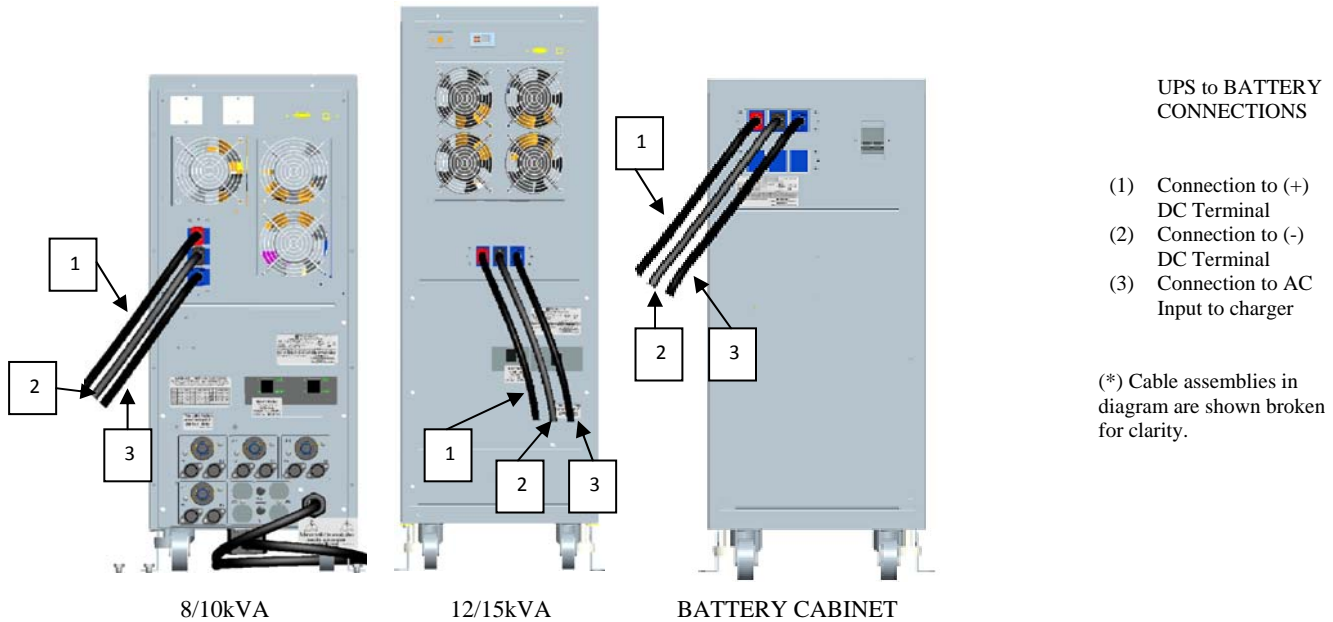
	Model	D28848-22		
	Part Number	22023-48		
	Typeform	Extended Run Battery Cabinet		
INPUT (AC)	Voltage (VAC)	240		
	Voltage Range (VAC)	180-266		
	Frequency (Hz)	50/60		
	Current (AC)	8.0 (Max)		
BATTERY	Voltage (VDC)	288, nominal 327, float		
	Battery	12V, 51W, flame retardant		
	Quantity	2 Strings x 24		
	Charge Current (ADC)	2.25A/String		
MISC.	Shipping Weight	746lbs (338kg)		
	Unit Weight	674lbs. (306kg)		
	Dimensions	A	B	C
		33.46in (850.0mm)	13.7in (349.76mm)	38.61in (980.61mm)
ENVIRONMENT	Temperature (°C)	0 to 40, operating -20 to 60, transit		
	Altitude (m)	2,000, operating 12,000, transit		
	Humidity	5.0% to 90.0%, non condensing		
	Heat Dissipation (BTU/hr)	1163		
AGENCY	Safety Agencies	UL1778, 4 th ed. CSA22.2 No.107.1		
	RoHS	All units are RoHS compliant		

8kVA-15kVA Battery Cabinet

RUNTIME (MIN)*	Battery Cabinet	D28848-22			
	UPS Model	RATED LOAD			
		25%	50%	75%	100%
	ABCDEF8000-22	70	50	40	32
	ABCDEF10.0-22	62	45	35	28
	ABCDEF12.0-22	57	40	30	20
ABCDEF15.0-22	50	35	20	15	

*Runtimes are based on a fully charged battery at 25°C.

*Contact the factory for applications requiring multiple battery cabinets.



Warranty/Support: POWERVAR warrants the electronics and transformers used in its uninterruptible power managers to be free from defects in materials and workmanship for a period of three years from the date of shipment. Batteries are warranted for a period of two years from the date of shipment for standby use; 90 days for cyclic use. For North American service or support on any POWERVAR product, please contact POWERVAR Technical Support at (800) 369-7179 (in Illinois call (847-596-7000)). For service and support in EMEA, contact POWERVAR, Ltd. in the United Kingdom at +44 (0) 1793 553980. Or visit the POWERVAR website at www.powervar.com.

Battery Life Disclaimer: Powervar's standard battery warranty applies only to UPS and UPM products which are continuously connected to AC mains power, except during utility power outages. Products which are regularly and intentionally disconnected from AC mains power will experience battery discharge/charge cycles potentially far more numerous than those for which the battery was designed. As a result, products used in such applications will experience substantially reduced battery life. For that reason, Powervar's standard battery warranty does not apply for applications in which the UPS or UPM product is regularly and intentionally disconnected from AC mains power. Powervar UPS and UPM products used in such applications shall receive a 90 day warranty on batteries.

POWERVAR, Inc. - 1450 Lakeside Drive, Waukegan, IL 60085
POWERVAR, Ltd. - Unit 5 Birch, Kembrey Park, Swindon, Wiltshire, UK SN2 8UU