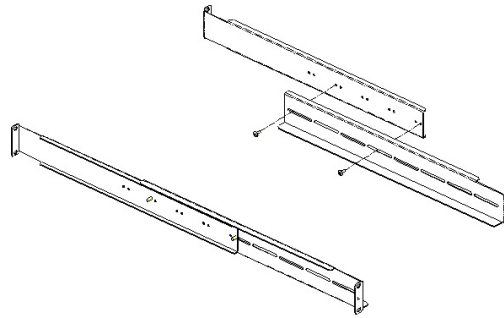


Rackmount Installation Guide

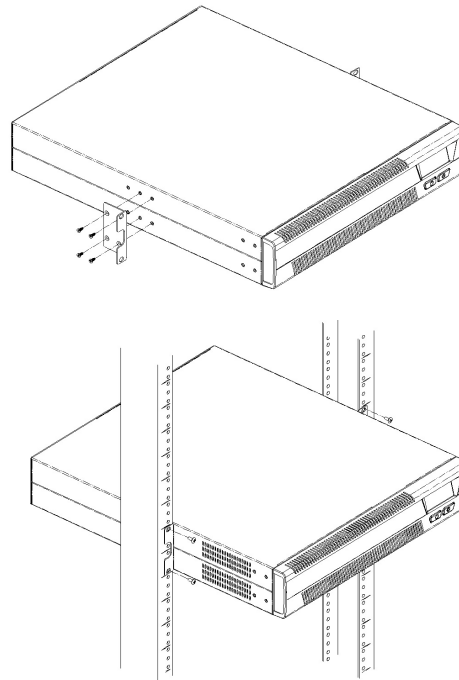
1. Assemble the side rails and secure each with (2) screws. **DO NOT TIGHTEN.**
2. Attach front of the rails to front of rack with (1) fastener for each side in the upper mounting hole.
3. Attach rear of rails to rear of rack with the (2) fasteners for each side.
4. Tighten the (2) screws used to assemble each rail in step 1.
5. For 2U* UPMs and battery cabinets, attach (1) angled mounting bracket to each side of the UPM and/or each side of the battery cabinet using the (8) screws provided.
6. For 4U** UPMs - attach (2) angled mounting brackets to each side of the UPM using the (16) screws provided.
7. Lift the battery cabinets and UPM onto the mounting rails and slide each into position.
8. Secure the 2U UPM and battery cabinet with (4) fasteners and the 4U UPMs with (8) fasteners provided.

Rackmount UPM and the external battery cabinet are designed to be floor standing as an alternative to rack mounting. The UPM and external battery cabinets use identical mounting hardware and the procedure for mounting is the same for both.

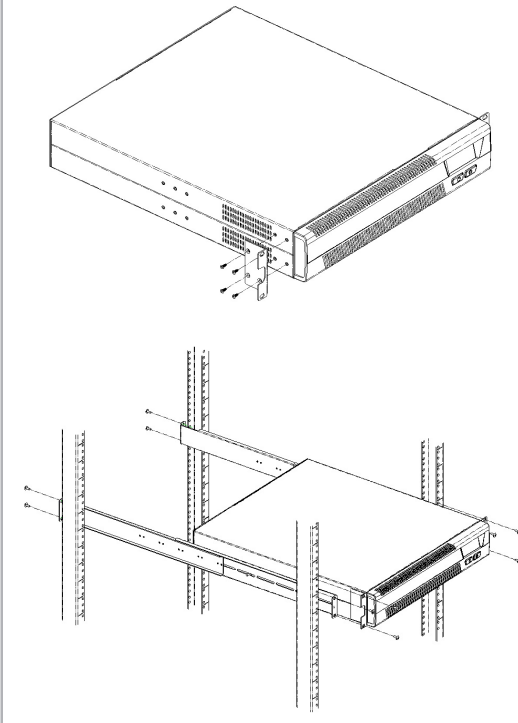


Each unit and each battery cabinet must be mounted to their own rail kits that are included.

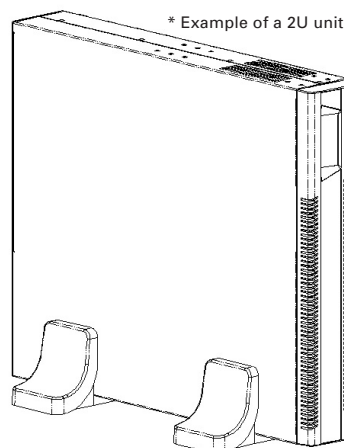
Middle Rack Installation



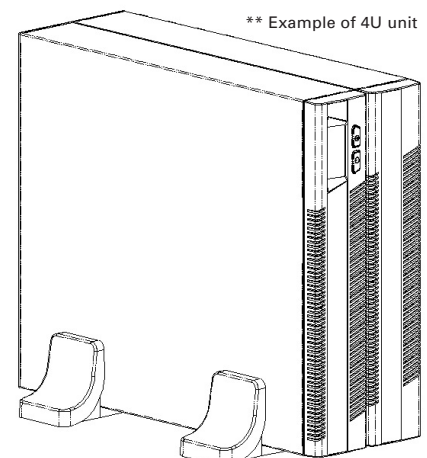
Standard Rack Installation



Floor Standing Installation



* Example of a 2U unit



** Example of 4U unit

Rackmount Installation Guide

INSPECTING THE UPM

If any equipment has been damaged during shipment, keep the shipping cartons and packing materials for the carrier or place of purchase and file a claim for shipping damage:

1. File with the carrier within 15 days of receipt of the equipment;
2. Send a copy of the damage claim within 15 days to your service representative.

WARNINGS



Use all supplied mounting hardware on each UPM and External Battery Cabinet. NEVER depend on devices installed on lower levels to support other devices.



Two people are recommended for safe installation.



Never attempt to mount the UPM or external battery cabinet with the front mount ears only. Continuous support is required throughout the mounting procedure to prevent damage or injury.



www.powervar.com

Call tech support at **800-369-7179** with questions

