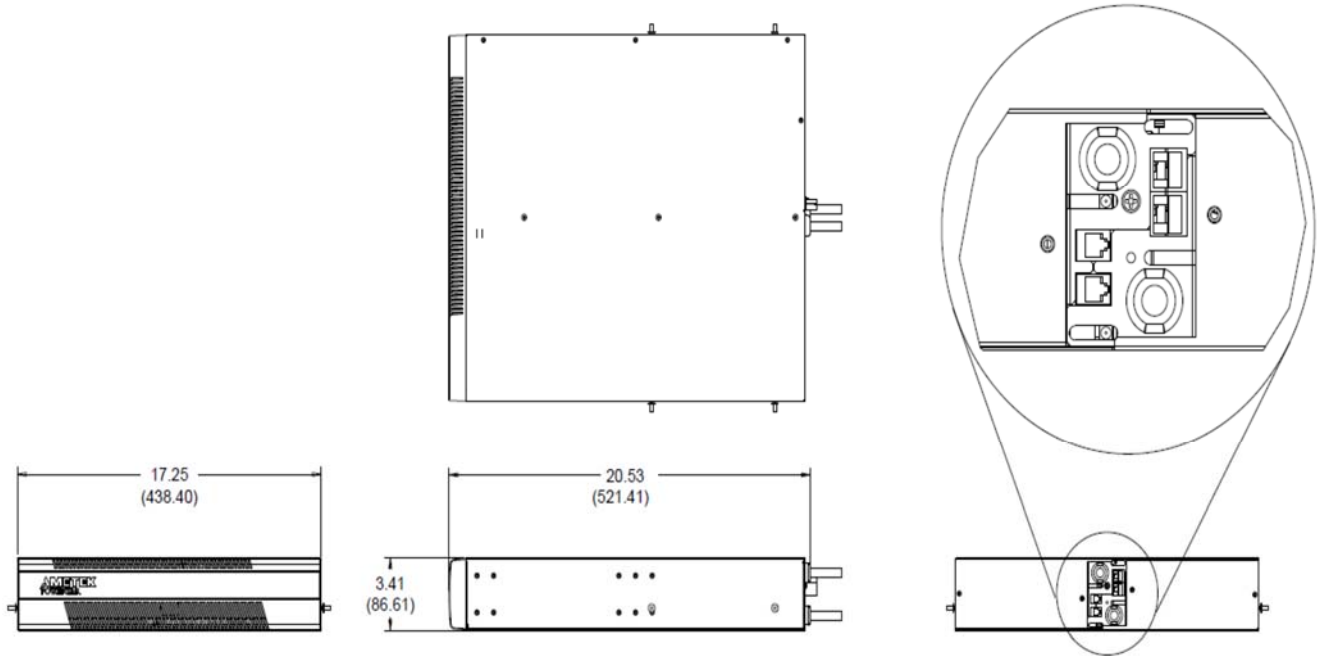


Security II RACKMOUNT Extended Run Battery Cabinet  
For 700, 1000, 1440, 2200 and 3000 VA Models



	<b>E4804-12 53048-12R</b>
<b>Type</b>	Rack mount Extended Battery Cabinet
<b>Voltage (VDC)</b>	48, nominal
<b>Battery</b>	12V at 17 Ah
<b>Battery Quantity</b>	4
<b>Internal Charger</b>	None
<b>Floor Tower Standing</b>	Yes (Optional)
<b>Communications Interface</b>	RJ11
<b>Shipping Weight (lbs./kg)</b>	73 lbs / 33.0 kg

**Rear Panel Information and Controls**

- 3 Foot DC Power Cord with Anderson Connector
- +/- Anderson Connector
- (2) RJ11 Connectors

**Internal Batteries**

- User Hot-Swappable (See Instruction Manual)
- Type: 12 Volt, 17 Ah
- Quantity: 4 Batteries
- Recharge Time: 12 Hours to 80%, 24 Hours to Full Charge

**Environmental**

- Temperature: 0 - +40<sup>0</sup> C (32 to 104<sup>0</sup>F) Operating  
-20 to 60<sup>0</sup> C (-40 to 140<sup>0</sup> F) Shipment/Storage
- Humidity: 5 to 90% Non-Condensing (Operating, Shipment/Storage)
- Altitude: 3,000m (10,000 ft) max. Operating;  
12,000m (40,000 ft) max. Shipment/Storage.

**Safety Agency and EMC Compliance:**

All Units are Listed by UL and Marked with the UL/cUL Marking.

**Battery Cabinet when used with POWERVAR Standard UPM:**

**Products Listed To:**

- UL1778 5th Edition
- CSA 22.2 Nos. 107.3-14

**Products in Compliance when used with a compatible POWERVAR UPM:**

- FCC-Part 15, Subpart B, Sections 15.107b & 15.109b Class A Digital Device\*
- CISPR11:2009, A1; 2010, Class A\*
- IEC61000-4-2, Electrostatic Discharge
- IEC61000-4-3, Radiated Electromagnetic Field Immunity
- IEC61000-4-4, Electrical Fast Transient/Burst Immunity
- IEC61000-4-5, Surge Immunity
- IEC61000-4-6, Immunity to Conducted Radio Frequency Disturbances
- IEC61000-4-8, Power Frequency Magnetic Field Immunity
- IEC61000-4-11, Voltage Dips, Short Interruptions, and Voltage Variations

**Battery Cabinet when used with POWERVAR Medical Rack mount UPM:**

- UL60601-1 2nd and 3rd Edition
- UL1778 5th Edition
- CSA 22.2 No. 601.1-M89
- CSA 22.2 No. 107-1-M91
- CSA 22.2 Nos. 0-M1982
- CSA 22.2 Nos. 0.4-M1982

**Products in Compliance when used with compatible POWERVAR Rack mount UPM:**

- FCC-Part 15, Subpart B, Sections 15.107b & 15.109b Class A Digital Device\*
- CISPR11:2009, A1; 2010, Class A\*
- EN60601-1-2 : 2007

**Warranty/Support:** POWERVAR warrants the electronics and transformers used in its uninterruptible power managers to be free from defects in materials and workmanship for a period of five years from the date of shipment. Batteries are warranted for a period of two years from the date of shipment. For service or support on any POWERVAR product, please contact POWERVAR Technical Support at (800) 369-7179 or visit the POWERVAR website at [www.powervar.com](http://www.powervar.com).

**Battery Life Disclaimer:** POWERVAR's standard battery warranty applies only to UPS and UPM products which are continuously connected to AC mains power, except during utility power outages. Products which are regularly and intentionally disconnected from AC mains power will experience battery discharge/charge cycles potentially far more numerous than those for which the battery was designed. As a result, products used in such applications will experience substantially reduced battery life. For that reason, POWERVAR's standard battery warranty does not apply for applications in which the UPS or UPM product is regularly and intentionally disconnected from AC mains power. POWERVAR UPS and UPM products used in such applications shall receive a 90 day warranty on batteries.