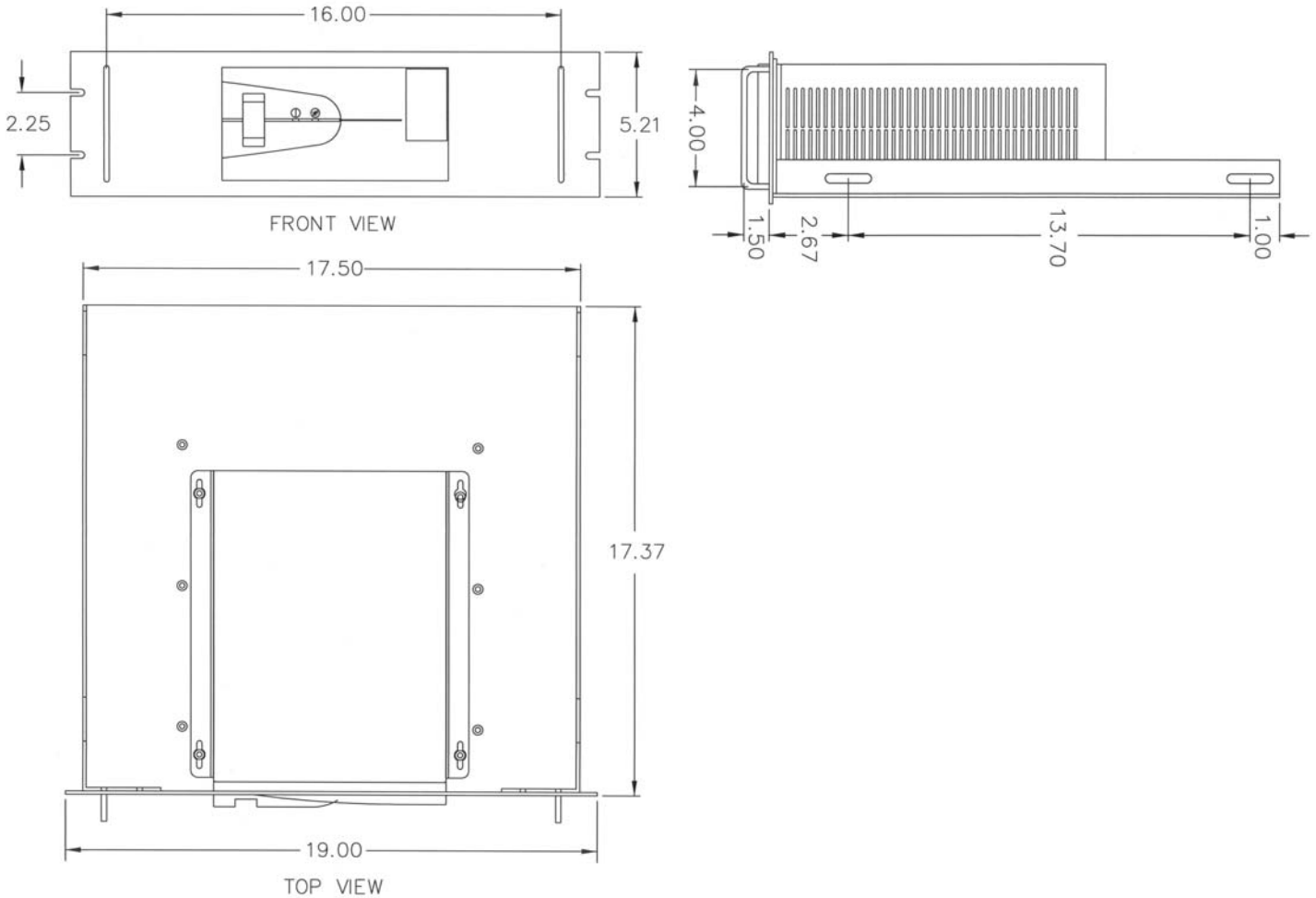


Rackmount Option Tray For Power Conditioners

“C” Case Rackmount Option

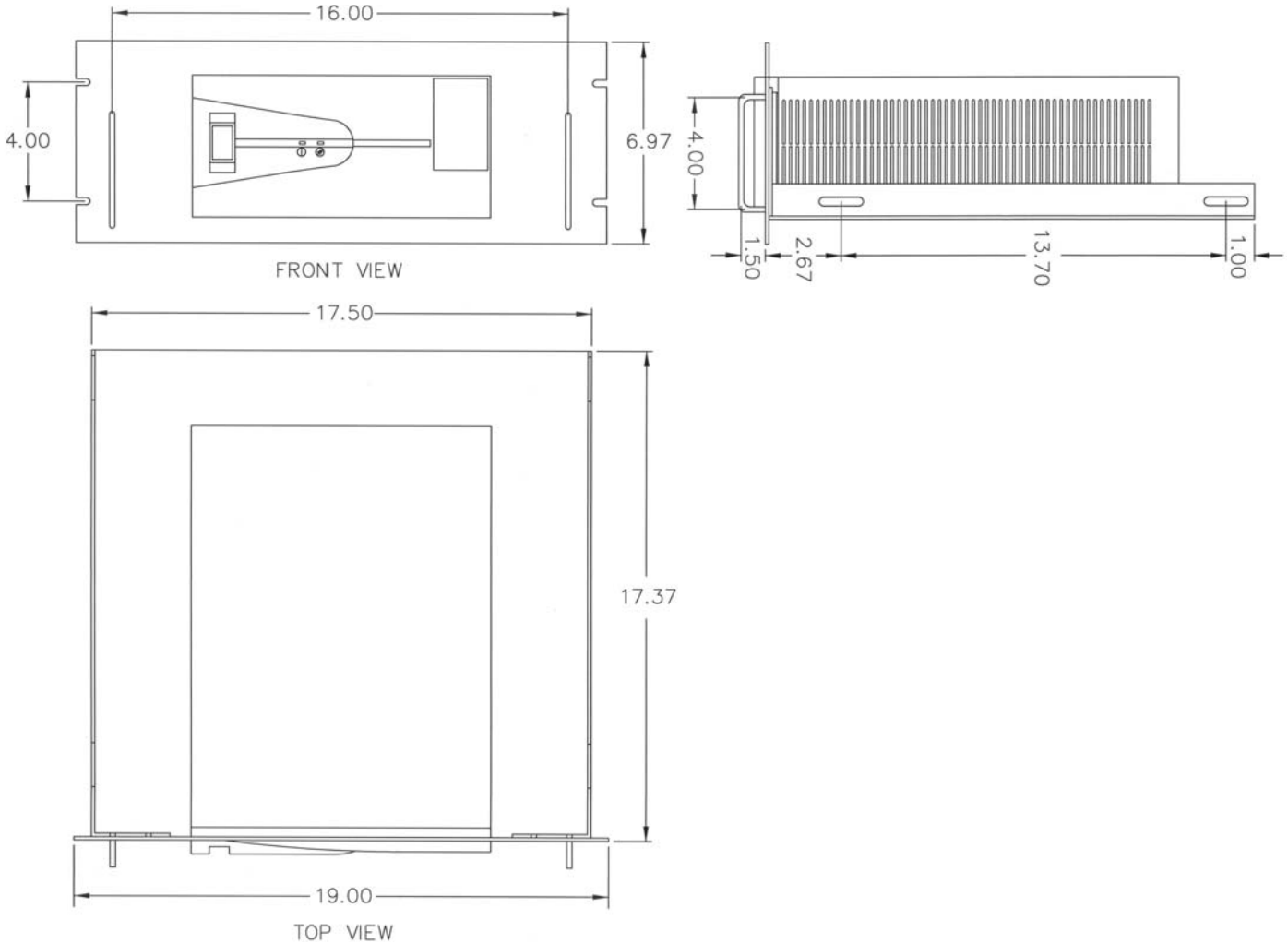


Rackmount option is available for ABC400-11 to ABC700-11, ABC200-11MED to ABC700-11MED, ABCG400-11 to ABCG700-11, ABC500-22INT to ABC750-22INT, ABC500-22MED to ABC750-22MED, and ABCG500-22INT to ABCG750-22INT. When ordering a rackmount option with the power conditioner, add an “R” to the end of the desired model number.

Rackmount options may be ordered separately from the models above as a field retrofit kit. Mounting conditioner to a rackmount option requires the conditioner to be fitted with a wallmount adapter. Adapter is included in the retrofit kit.

Rackmount Option Tray For Power Conditioners

“D” Case Rackmount Option



Rackmount option is available for ABC830-11 to ABC2000-11, ABC830-11-11MED to ABC1600-11MED, ABCG830-11 to ABCG2000-11, ABC1000-22INT to ABC2500INT-22, ABC1000-22MED to ABC2500-22MED, and ABCG1000-22INT to ABCG750-22INT. When ordering a rackmount option with the power conditioner, add an “R” to the end of the desired model number.

Rackmount options may be ordered separately from the models above as a field retrofit kit. Mounting conditioner to a

Warranty/Support: POWERVAR warrants the electronics and transformers used in its uninterruptible power managers to be free from defects in materials and workmanship for a period of five years from the date of shipment. Batteries are warranted for a period of two years from the date of shipment. For North American service or support on any POWERVAR product, please contact POWERVAR Technical Support at (800) 369-7179 (in Illinois call (847-596-7000)). For service and support in EMEA, contact POWERVAR, Ltd. in the United Kingdom at +44 (0) 1793 553980. Or visit the POWERVAR website at www.powervar.com.