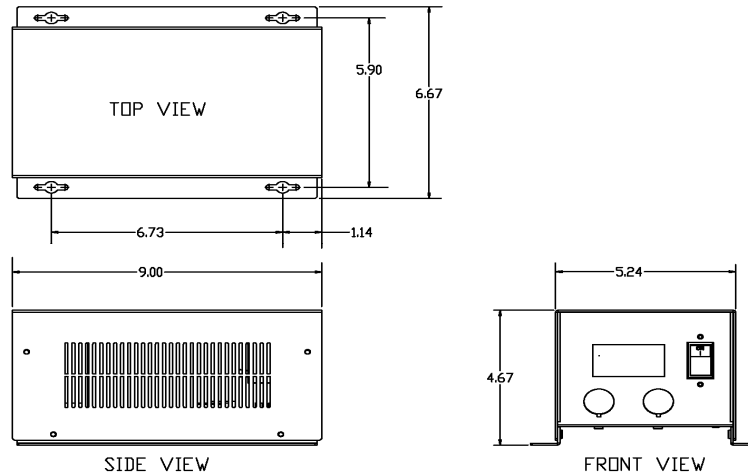


North American Hard Wired Conditioners



| | ABC150-11HW Part # 61018-40R | ABC201-11HW Part # 61024-40R | ABC302-11HW Part #61036-40R | ABC500-11HW Part # 61060-40R |
|-----------------------------------|---------------------------------|---------------------------------|--------------------------------|---------------------------------|
| VA Rating | 180 | 240 | 360 | 600 |
| Frequency | 60 Hz. | 60 Hz. | 60 Hz. | 60 Hz. |
| BTU/Hr. Output | 62 | 82 | 123 | 123 |
| T.H.D. % Added | <1% | <1% | <1% | <1% |
| Load Surge Current @ | | | | |
| 1/2 cycle | 28 amps | 38 amps | 82 amps | 175 amps |
| 1 second | 10 amps | 14 amps | 28 amps | 84 amps |
| 10 seconds | 4.5 amps | 6.0 amps | 10 amps | 24 amps |
| Input Voltage | 120 | 120 | 120 | 120 |
| Output Voltage | 120 | 120 | 120 | 120 |
| Output Current | 1.5 amps | 2.0 amps | 3.0 amps | 5.0 amps |
| Efficiency | 90% | 90% | 90% | 94% |
| Voltage Drop No Load to Full Load | 10% | 9% | 6% | 6% |
| Wall mountable | Yes | Yes | Yes | Yes |
| Compliance | UL, cUL, RoHS | UL, cUL, RoHS | UL, cUL, RoHS | UL, cUL, RoHS |
| Shipping Weight (lbs.) | 9 | 10 | 12 | 15 |

NOISE REJECTION-ISOLATION: With unit under power and an ANSI/IEEE C62.41Cat. A pulse applied either normal or common mode at the input, the noise output voltage will be less than 10V normal mode and less than 0.5V common mode in all four quadrants (CM-NM, NM-NM, CM-CM, NM-CM).

SURGE VOLTAGE WITHSTAND CAPABILITY: Tested under power to ANSI/IEEE C62.41 Cat. A & B (formerly IEEE587-1980). Cat. A - 6000V @ 200 amps, 0.5 usec risetime, 100 kHz decay, Cat. B - 6000V @ 500 amps, 0.5 usec risetime, 100 kHz decay.

Warranty/Support: POWERVAR warrants its power conditioners to be free from defects in materials and workmanship for a period of five years from the date of shipment. For North American service or support on any POWERVAR product, please contact POWERVAR Technical Support at (800) 369-7179 (in Illinois call (847-596-7000)). For service and support in EMEA, contact POWERVAR, Ltd. in the United Kingdom at +44 (0) 1793 553980. Or visit the POWERVAR website at www.powervar.com.