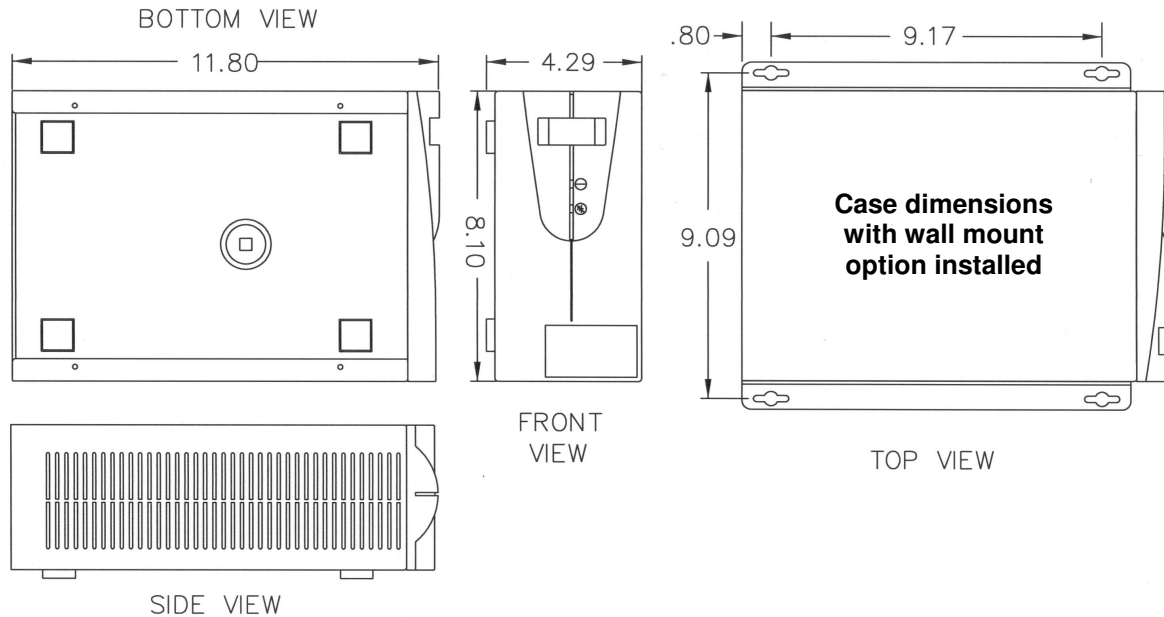


North American Ground Guard® Conditioners - “C” Case Enclosure



	ABCG400-11 Part # 66051-XXR	ABCG500-11 Part # 66060-XXR	ABCG600-11 Part #66072-XXR	ABCG700-11 Part # 66084-XXR
VA Rating	480	600	720	840
Frequency	60 Hz.	60 Hz.	60 Hz.	60 Hz.
BTU/Hr. Output	115	123	147	143
T.H.D. % Added	<1%	<1%	<1%	<1%
Load Surge Current @				
1/2 cycle	125 amps	175 amps	215 amps	237 amps
1 second	60 amps	84 amps	102 amps	114 amps
10 seconds	17 amps	24 amps	30 amps	33 amps
Input Voltage	120	120	120	120
Output Voltage	120	120	120	120
Output Current	4.0 amps	5.0 amps	6.0 amps	7.0 amps
Efficiency	93%	94%	94%	95%
Voltage Drop No Load to Full Load	7%	6%	6%	5%
Wall mountable*	Yes	Yes	Yes	Yes
Compliance	UL and cUL, RoHS	UL and cUL, RoHS	UL and cUL, RoHS	UL and cUL, RoHS
Shipping Weight (lbs.)	16	18	20	22

* When ordering by model number, add "W" to model number above for wall mount option.

North American Ground Guard® Conditioners - “C” Case Enclosure Available Plug/Receptacle Options

POWERVER Part

ABCG400-11 - 66051-XXR**

ABCG500-11 - 66060-XXR**

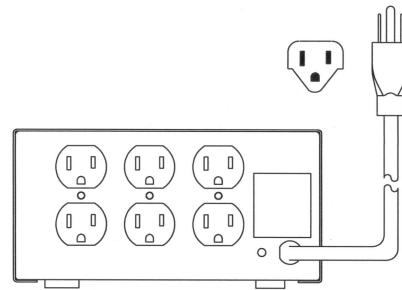
ABCG600-11 - 66072-XXR**

ABCG700-11 - 66084-XXR**

When ordering by part #, add two digit number from below in place of **XX to specify receptacle option desired.

Option 1 - Standard Plugs/Receptacles

- 03 - 5-15P plug and three 5-15R IG duplex receptacles
- 23 - 5-15P plug and three 5-15R IG duplex receptacles with wallmount



NOISE REJECTION-ISOLATION: With unit under power and an ANSI/IEEE C62.41 Cat. A pulse applied either normal or common mode at the input, the noise output voltage will be less than 10V normal mode and less than 0.5V common mode in all four quadrants (CM-NM, NM-NM, CM-CM, NM-CM).

SURGE VOLTAGE WITHSTAND CAPABILITY: Tested under power to ANSI/IEEE C62.41 Cat. A & B (formerly IEEE587-1980). Cat. A - 6000V @ 200 amps, 0.5 usec risetime, 100 kHz decay, Cat. B - 6000V @ 500 amps, 0.5 usec risetime, 100 kHz decay

GROUND CURRENT ATTENUATION: Disturbance current coupling into ground conductors is limited to .1% (one tenth of one percent) of the amplitude of the source disturbance current.

GROUND IMPEDANCE SAFETY CHARACTERISTICS: Under worst case capacitive or inductive load conditions, when presented with a worst case fault current of 50% above the branch circuit breaker rating, the control impedance must not exhibit a voltage drop across itself of more than 2.5 volts AC at 60 Hz.

Warranty/Support: POWERVER warrants its power conditioners to be free from defects in materials and workmanship for a period of five years from the date of shipment. For North American service or support on any POWERVER product, please contact POWERVER Technical Support at (800) 369-7179 (in Illinois call (847-596-7000)). For service and support in EMEA, contact POWERVER, Ltd. in the United Kingdom at +44 (0) 1793 553980. Or visit the POWERVER website at www.powervar.com.

POWERVER, Inc. - 1450 Lakeside Drive, Waukegan, IL 60085

POWERVER, Ltd. - Unit 5 Birch, Kembrey Park, Swindon, Wiltshire, UK SN2 8UU