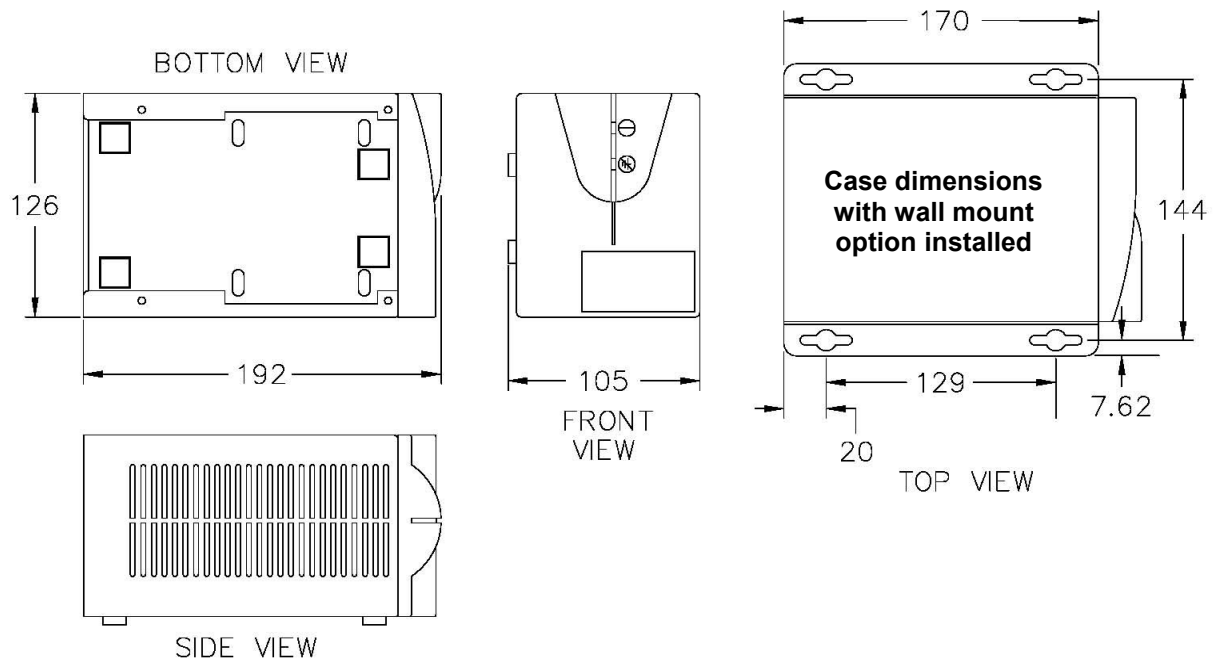


International Ground Guard® Conditioners - “B” Case Enclosure



	ABCG150-22INT* Part # 92006-XXR	ABCG250-22INT* Part # 92011-XXR
VA Rating	150	250
Frequency	50/60 Hz.	50/60 Hz.
BTU/Hr. Output	20	60
T.H.D. Added%	<1%	<1%
Load Surge Current @		
1/2 cycle	55 amps	62 amps
1 second	20 amps	34 amps
10 seconds	4 amps	8 amps
Input Voltage	200-264	200-264
Output Voltage	200-264	200-264
Output Current	.65 amps	1.09 amps
Efficiency	93%	93%
Voltage Drop No Load to Full Load	8.4%	8.4%
Wall mountable*	Yes	Yes
Compliance	UL, cUL, D-Mark, CE, RoHS	UL, cUL, D-Mark, CE, RoHS
Shipping Weight (kgs.)	3.5	4.5

* When ordering by model number, add “W” to model number above for wall mount option.

International Ground Guard® Conditioners - “B” Case Enclosure Available Plug/Receptacle Options

POWERVAR Part #

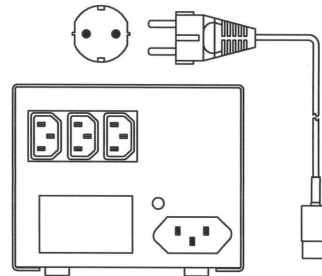
ABCG150-22INT - 92006-XXR**

ABCG250-22INT - 92011-XXR**

When ordering, add two digit number from below in place of **XX to specify receptacle option desired.

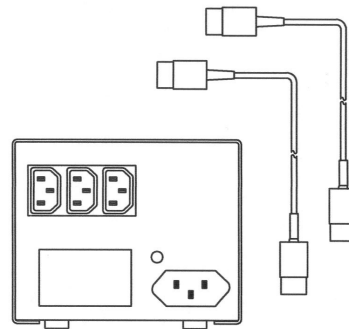
Option 1

- 01 - IEC320 cord with Shuko plug and IEC320 strip
- 21 - IEC 320 cord with Shuko plug, IEC320 strip and wallmount



Option 2

- 03 - Two IEC320 output cords with IEC320 strip
- 23 - Two IEC320 output cords with IEC320 strip and wallmount



NOISE REJECTION-ISOLATION: With unit under power and an ANSI/IEEE C62.41Cat. A pulse applied either normal or common mode at the input, the noise output voltage will be less than 10V normal mode and less than 0.5V common mode in all four quadrants (CM-NM, NM-NM, CM-CM, NM-CM).

SURGE WITHSTAND CAPABILITY: Tested under power to ANSI/IEEE C62.41 Cat. A & B (formerly IEEE587-1980). Cat. A - 6000V @ 200 amps, 0.5 usec risetime, 100 kHz decay, Cat. B - 6000V @ 500 amps, 0.5 usec risetime, 100 kHz decay.

GROUND CURRENT ATTENUATION: Disturbance current coupling into ground conductors is limited to .1% (one tenth of one percent) of the amplitude of the source disturbance current.

GROUND IMPEDANCE SAFETY CHARACTERISTICS: Under worst case capacitive or inductive load conditions, when presented with a worst case fault current of 50% above the branch circuit breaker rating, the control impedance must not exhibit a voltage drop across itself of more than 2.5 volts

Warranty/Support: POWERVAR warrants its power conditioners to be free from defects in materials and workmanship for a period of five years from the date of shipment. For North American service or support on any POWERVAR product, please contact POWERVAR Technical Support at (800) 369-7179 (in Illinois call (847-596-7000)). For service and support in EMEA, contact POWERVAR, Ltd. in the United Kingdom at +44 (0) 1793 553980. Or visit the POWERVAR website at www.powervar.com.

POWERVAR, Inc. - 1450 Lakeside Drive, Waukegan, IL 60085

POWERVAR, Ltd. - Unit 5 Birch, Kembrey Park, Swindon, Wiltshire, UK SN2 8UU