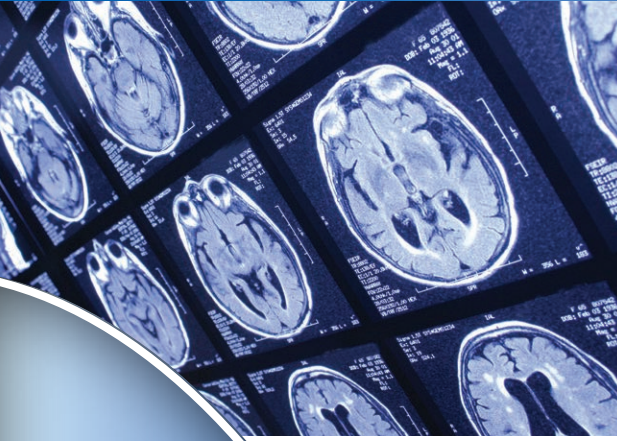


POWERVER Mobile Power Manager

[150 VA - 250 VA Medical Power Supply]



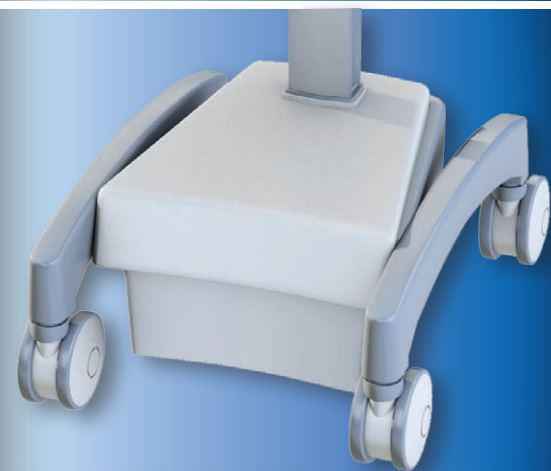
A step in the right direction.

Powervar's Mobile Power Manager (MPM) provides UL 60601 compliance for mobile carts while protecting valuable patient data from being lost or corrupted.

The Advantages of the Mobile Power Manager

Compliance	UL 60601 Listed
Flexible	IEC 320 connections for input and output
Intelligent	User-friendly fleet management software
Versatile	Works with multiple battery chemistries
Powerful	250 VA / 250 W rating for any computer load
Size	Industry standard footprint

- The MPM provides power to connected equipment on a cart for up to 10 hours with a rapid recharge time. Existing non-powered carts can be upgraded at an affordable cost.
- Unique "jump start" feature works to recover fully discharged batteries and keeps the cart operable even when the battery is disabled or removed.
- Fits form and mounting dimensions of widely used cart power systems making it easy to retrofit older SLA carts and upgrade to LiFePO4.
- Fully compatible with LiFePO4 batteries from UltraLife, Valence, Powersonic and ICC/Nexergy. Also works with SLA batteries from 12AH-90AH.
- The MPM power connections and user interface can be custom configured for OEM applications.
- PC-based client software and server-based fleet management software is available to administer your powered carts.



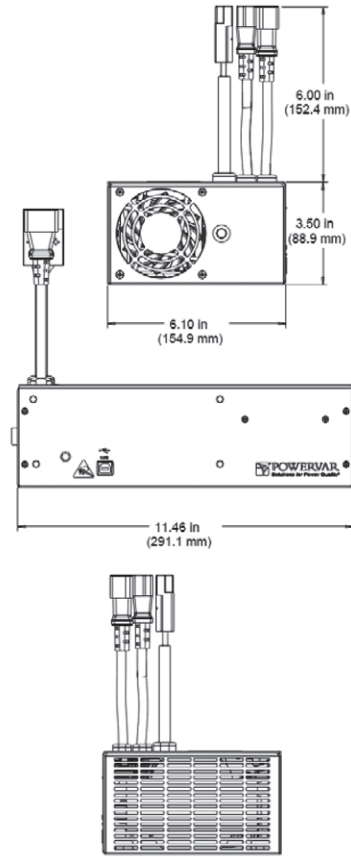
Why Powervar for your mobile applications?

The Powervar Mobile Power Manager (MPM) is listed to the medical UL standard 60601 which certifies the unit for patient vicinity applications. The MPM fit the standard industry footprint, so it is easy to adapt in your mobile application.

The Powervar Mobile Power Manager’s software tracks battery life, monitors the supported load and cart usage, while providing event logs and a user friendly fuel gauge. MPM fleet view management software provides you with the ability to track a fleet of carts and give you real time data from one computer where you can manage the battery maintenance and monitor the usage on all of the carts within your facility.

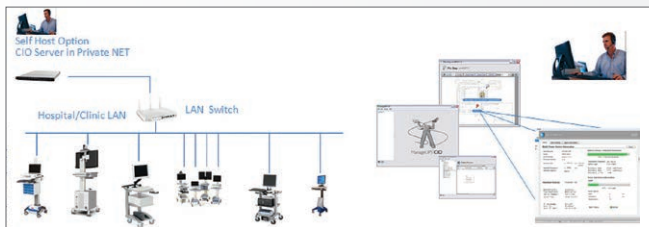


	ABCE150-11M2	ABCE250-11M2	ABCE150-22M2	ABCE250-22M2
Power Rating	150 VA / 150 W	250 VA / 250 W	150 VA / 150 W	250 VA / 250 W
Input Voltage (Nominal)	120 VAC 100-137 VAC	120 VAC 100-137 VAC	230 VAC 195-265 VAC	230 VAC 195-265 VAC
Maximum Input Current	5.9 A	3.9 A	2.25 A	2.50 A
Input Frequency	60 Hz ±5	60 Hz ±5	50/60 Hz ±5	50/60 Hz ±5
Input Power Factor	>0.90			
Output Voltage	120 VAC	120 VAC	230 VAC	230 VAC
Inverter Waveform	Low Distortion Sine Wave			
Transfer Time	<5 Milliseconds			
Overload Online Mode	100-110%: No Limit 110-120%: 5 Minutes 121-140%: 15 Seconds 141-200%: 1 Second >200%: 0.1 Seconds			
Overload Battery Mode	100-110%: No Limit 110-120%: 30 Seconds 121-140%: 15 Seconds 141-200%: 0.5 Seconds >200%: 0.1 Seconds			
Battery Voltage (Nominal)	12.0 VDC			
Maximum Charger Current (Average)	4.0-15.5 A	4.0-13.0 A	4.0-13.0 A	4.0-10.0 A
Battery Compatibility	SLA LiFePO4			
Battery Communication	SMBus RS485			
Backup Time (Full Load)	Battery Dependent			
Communications Interface	USB			
Software	MPM View			
Audible Noise (Maximum)	45 dBA at 1 m			
Unit Weight	15.0 lbs. / 6.8 kg.	15.5 lbs. / 7.0 kg.	15.0 lbs. / 6.8 kg.	15.5 lbs. / 7.0 kg.



MPM Software gives you real time information

MPM Fleetview – server software provides central view of battery status across a fleet of carts.



MPM Clinic View – workstation software with convenient on-screen battery status display.

