



User Instruction Manual

Isolated Contacts Interface Card

IF-ISOBasic

FOR APPLICATIONS THAT REQUIRE ISOLATED DRY CONTACTS

Licenses and Trademarks

ManageUPS and MopUPS are registered trademarks of POWERVAR. All other trademarks, product and corporate names are the property of their respective owners.

Entire contents copyright ©2008 POWERVAR. All rights reserved.
Reproduction in whole or in part without permission is prohibited.

IF-ISOBasic

FOR APPLICATIONS THAT REQUIRE ISOLATED DRY CONTACTS

Isolated Contacts Interface Card

The Isolated Contact Interface Card is for use with compatible POWERVAR Low Power UPS systems.

Your kit includes:

- Isolated Contact Interface Card (part number IF-ISOBASIC-O2)
- User Manual Instructions

Installation

To install the isolated contacts interface card:

1. Turn off and unplug the UPS during the installation.
2. Remove the slot cover plate (two screws) on the back of the unit.
3. Firmly slide the card into the slot.
4. Replace the two screws to secure interface card.
5. For ON Series Universal-Mount UPS only, set the dip switch on the back of the unit to “BASIC” mode, or to the “ON” position. See Figure 1.

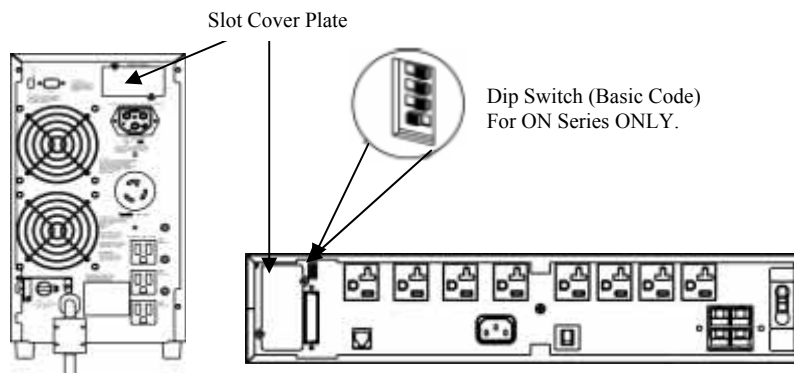


Figure 1: Typical Locations of Slot Cover Plates

Operation

The Isolated Contacts Interface Card is an auxiliary interface card which provides isolated dry contact signals which indicate:

- Failure of AC source into the UPS.
- A low battery-charge state when the UPS is running from battery.
- UPS is in the BYPASS mode (not on line), for Sinergy Series UPS only.

There are two modes to select:

- *N/O Contact* - (factory default), P6 jumpered 1 to 2.
- *N/C Contact* - P6 jumpered 2 to 3.

- Summary Alarm, for Sinergy Series UPS only.

There are two modes to select:

- *N/O Contact* - (factory default), P5 jumpered 1 to 2.
- *N/C Contact* - P5 jumpered 2 to 3.

- A fifth signal will turn off the UPS inverter system. This signal capability is provided for computer-based systems that can signal when the operating system has been shut down and the UPS battery backup is no longer needed by the system. This conserves any remaining battery charge for subsequent power failures that may occur before the UPS battery has been recharged. A one second delay is standard.

There are two modes to select:

- *Ground Referenced with Delay* - (factory default) An RS232 level signal with a one second delay for noise suppression, P2 and 3 are jumpered 2 to 3.
- *Isolated with no Delay* - will accept +5 to +15 VDC to shutdown UPS, P2 and 3 are jumpered 1 to 2.

See fig. 2 for Isolated Contact Interface Card, connector pin numbers and functions.

NOTE: Pins 1, 2, 5, and 7 are not functional on the ON Series Universal-Mount UPS.

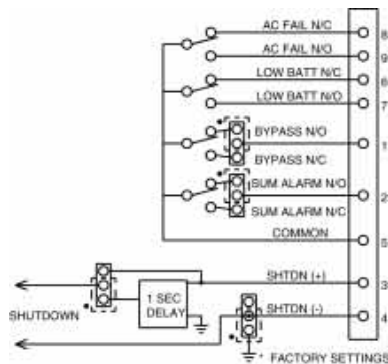


Figure 2: Simplified Schematic of Interface Connections

Function	Pin
AC FAIL NC	8
AC FAIL NO	9
LOW BATTERY NC	6
LOW BATTERY NO	7
BYPASS	1
ALARM	2
COMMON	5
SHUTDOWN (+)	3
SHUTDOWN (-)	4

Isolated Relay Specifications

The isolated relay circuit is rated as follows:

- 1 Amp @ 125 VAC
- 1 Amp @ 30 VDC

- 100 mA @ 125 VDC

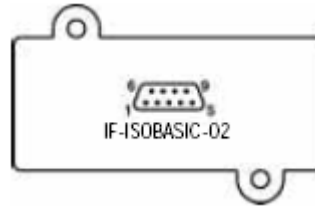


Figure 3: Typical Isolated Contact Interface Card

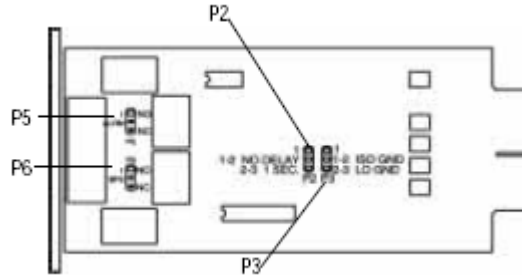


Figure 4: Function Select / Programming

Technical Support

Please contact your local vendor for Technical Services or visit the POWERVAR Website:

<http://connectivity.powervar.com>

Appendix A: Instructions for Nortel Meridian PBX Systems

The cable provided in this kit (CA-NTMeridian) should be connected between the 9-pin port on the Isolated Contacts card in the UPS and the system monitor (SYSMON) card installed in the Meridian system

Refer to the Nortel Meridian Documentation for details on configuring the system monitor for logging UPS information.

Suggested references:

- Meridian 1 System Installation and Maintenance (PO842839)
- Meridian 1 XII System Messages (PO842845)

For all Powervar Low Power UPS systems except the ON Series Universal-Mount.

- Alarm condition 1 should be interpreted as AC fail inverter on.
- Alarm condition 2 should be interpreted as an indication of low battery condition. This condition is a normal condition that occurs during an extended power failure.